

LSX-785S-ISO

Diode

Optical characteristics *

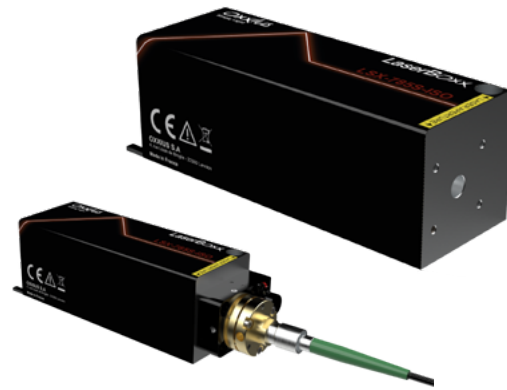
Emission wavelength	785 nm (± 0.5 nm)	
Wavelength stability over 8 hours and $\pm 3^\circ\text{K}$	≤ 10 pm	
Linewidth	≤ 100 MHz typ.	
Coherence Length	≥ 1 m typ.	
Output power	Free space	Fiber coupled
	150 mW with isolator	105 mW
Control mode(s)	Automatic Current Control (ACC)	
Power stability over 8 hours and within $\pm 3\text{k}$	$\pm 1\%$	
Power adjustment range optional	with L1C MPA / AOM	
Optical noise %RMS, 10Hz - 20 MHz bandwidth	$\leq 0.2\%$	

— Transverse singlemode free-space beam

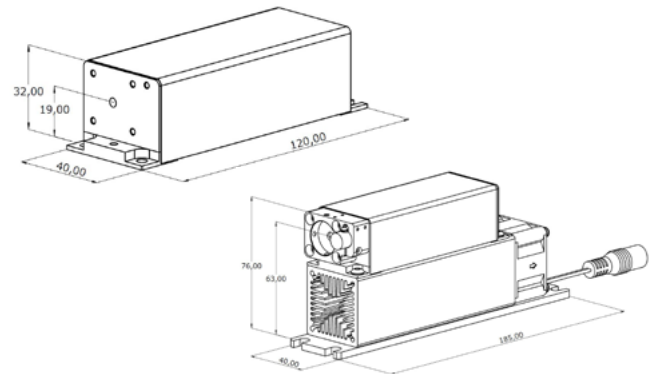
Beam waist diameter (typ) at $1/e^2$, 50mm from output aperture	0.5 mm (± 0.1 mm)
Beam divergence at $1/e^2$, full angle, in far field	≤ 1.7 mrad
Beam quality factor (M^2)	≤ 1.25
Beam circularity , in far field	$\geq 90\%$
Polarization extinction ratio (typ)	100:1
Polarization state	linear, vertical at $\pm 5^\circ$

Fiber coupling option

Specifications	SM and PM Fiber	MM Fiber (50 μm , 0.22 NA)
Coupling Efficiency	$\geq 70\%$	$\geq 80\%$
Polarization Ratio (PMF only)	100 : 1	n/a
Fiber Output Connector	FC-APC FC/PC, FCP8 on demand	FC-APC
Power stability over 8 hours and within $\pm 3\text{k}$	$\pm 2\%$	$\pm 2\%$
Fiber length	2.0 m	2.0 m



System specifications



— Plug and Play version provided with :

- Electro-mechanical shutter
- ControlBoxx
- Power supply

Other options

- Heat sink

General specifications

	Plug and Play version	OEM version
Compliance	CE FDA 21 CFR 1040.10/1040.11	FDA 21 CFR 1040.10 / 1040.11
Operating temperature	10 - 38°C ambient air with optional heat sink	10 - 50°C baseplate
Power consumption	≤ 25 W	≤ 20 W
Storage temperature	0 to 60°C	
Supply voltage	100 to 240 VAC external power supply	5 to 12 VDC
Warm-up time	≤ 10 minutes	
Interfaces	USB, RS-232, dedicated electronic interface	

*Specifications at nominal power

Warranty : 18 months from shipment date



CONTACT US

Oxxius S.A
4 rue Louis de Broglie
F-22300 Lannion, France

Phone : +33 296 48 70 28
sales@oxxius.com
www.oxxius.com