
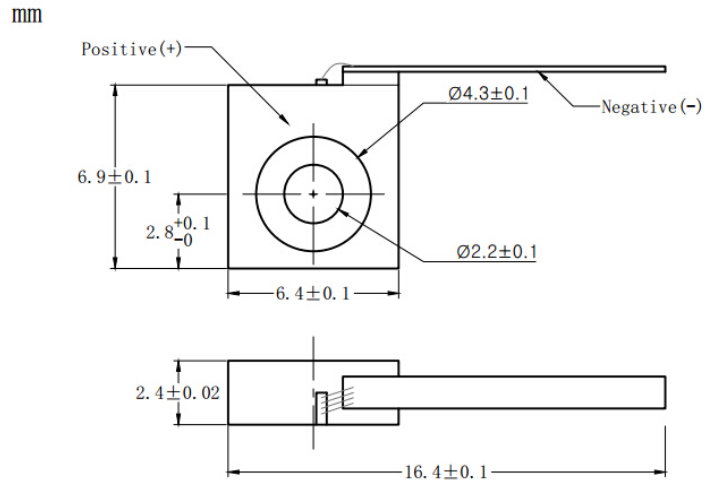


860nm Laser Diode 3W/C-mount			
PARAMETER	SYMBOL	VALUE	UNIT
Reverse Voltage	V_r	2.0	V
Operating Temperature	T_{op}	+10~+30	°C
Storage Temperature	T_{stg}	-20~ +80	°C
Lead soldering temperature (10 sec.)	T_{is}	260	°C
Features: <ul style="list-style-type: none"> ✘ 860nm ✘ Multimode ✘ C-mount Package ✘ FAC Lens Optional 			
Applications: <ul style="list-style-type: none"> ✘ Medical Laser Treatment ✘ Laser Indicator ✘ Others 			
Specifications			
	Min	Type	Max
Center Wavelength@25°C	850nm	860nm	870nm
Spectral Width (FWHM)		2.5nm	
Output Power	----	3W	----
Emitter Area	----	150x1μm	----
Beam Divergence (FWHM)	----	35° _⊥ x 8° _{//}	----
Temperature Coefficient of Wavelength	----	0.3nm / °C	----
Slope Efficiency	----	1.2W/A	----
Threshold Current (Typ.)	----	0.4A	----
Operating Current (Typ.)	----	3.0A	----
Operating Voltage	----	2.1V	----
Package Style	C-mount		
Recommended Operating Temperature	25°C		

C-mount Package View



**Electrically shorten LD module and store in non-extreme conditions.
Suggest using the constant current power supply.**

