
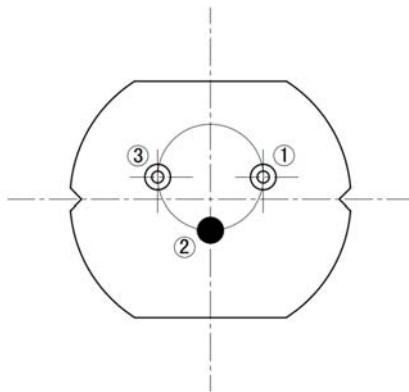
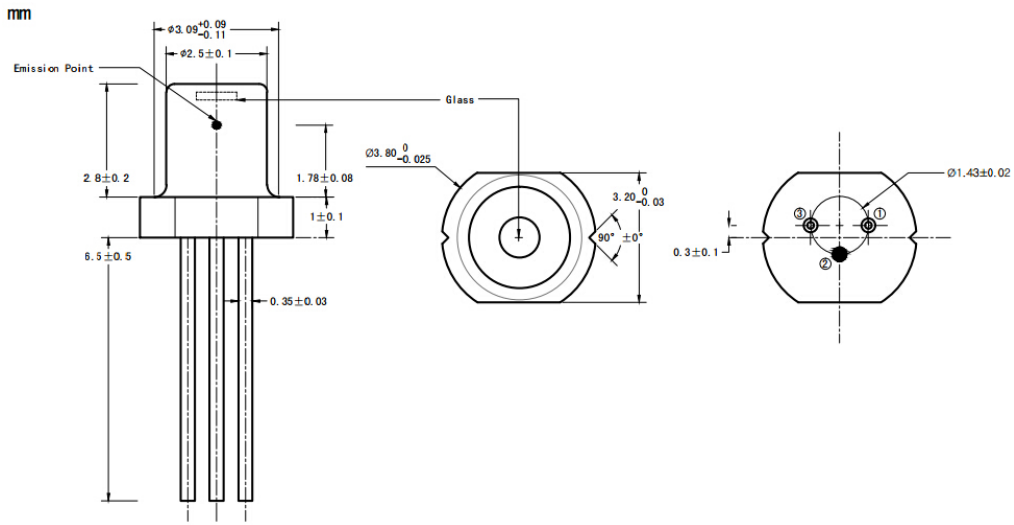


520nm Laser Diode			
PARAMETER	SYMBOL	VALUE	UNIT
Reverse Voltage	V_r	2.0	V
Operating Temperature	T_{op}	0 ~ +60	°C
Storage Temperature	T_{stg}	-40 ~ +85	°C
Lead soldering temperature (10 sec.)	T_{is}	260	°C
Features: <ul style="list-style-type: none"> ✘ 520nm ✘ 50mW ✘ Single Mode Beam ✘ 3.8mm Package 			
Applications: <ul style="list-style-type: none"> ✘ Medical laser treatment ✘ Laser Indicator ✘ Laser Detector 			
Specifications			
	Min	Type	Max
Center Wavelength@25°C	510nm	520nm	530nm
Spectral Width (FWHM)	2.0nm		
Output Power	----	40mW	50mW
LD Mode	Single Mode		
Beam Divergence (FWHM)	$5^\circ \perp \times 15^\circ //$	$7^\circ \perp \times 21^\circ //$	$12^\circ \perp \times 24^\circ //$
Threshold Current (Typ.)	----	55mA	75mA
Operating Current (Typ.)	----	160mA	180mA
Operating Voltage	----	7.5V	8.0V
Package Style	3.8mm		

PIN Bottom View:



1	LD(+)
2	GND
3	LD(-)

Electrically shorten LD module and store in non-extreme conditions.

Suggest using the constant current power supply.

