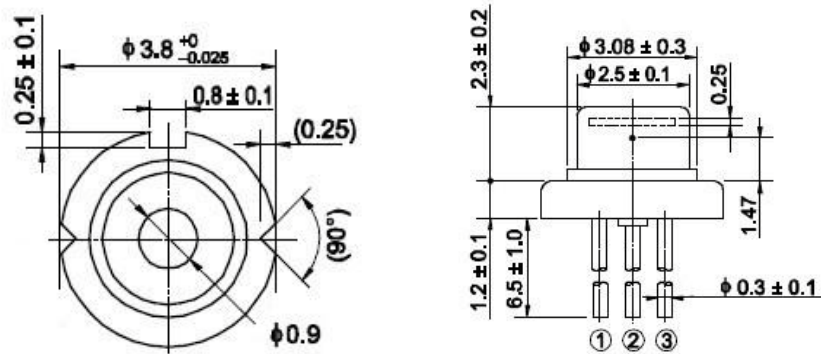
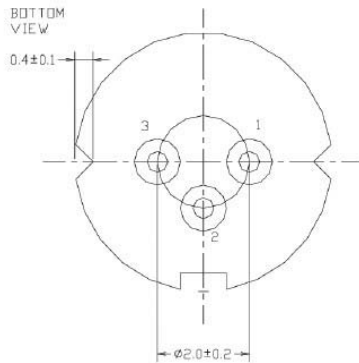


635nm Laser Diode		130mw		
PARAMETER	SYMBOL	VALUE	UNIT	
Reverse Voltage	V_r	2.0	V	
Operating Temperature	T_{op}	-10 ~ +55	°C	
Storage Temperature	T_{stg}	-40 ~ +85	°C	
Lead soldering temperature (10 sec.)	T_{is}	260	°C	
Features: <ul style="list-style-type: none"> ✘ 635nm ✘ Single Mode beam ✘ 3.8mm Package 				
Applications: <ul style="list-style-type: none"> ✘ Medical laser treatment ✘ Laser indicator ✘ Others 				
Specifications				
		Min	Type	Max
Center Wavelength@25°C		632nm	638nm	642nm
Recommended Temperature		25 °C		
Output Power		----	130mW	----
Beam Mode		Single Mode		
Beam Divergence (FWHM)		13°± x 5°//	18°± x 8.5°//	23°± x 13°//
Monitor Current		----		
PD Reverse Voltage		----		
PD Forward Current		----		
Slope Efficiency		----	1.1mW/mA	1.3mW/mA
Threshold Current (Typ.)		----	50mA	70mA
Operating Current (Typ.)		----	180mA	200mA
Operating Voltage		----	2.7V	3.0V
Package Style		3.8mm		

3.8mm Package View



PIN Bottom View:



1	LD(+)
2	GND
3	LD(-)

Electrically shorten LD module and store in non-extreme conditions.

Suggest using the constant current power supply.

