
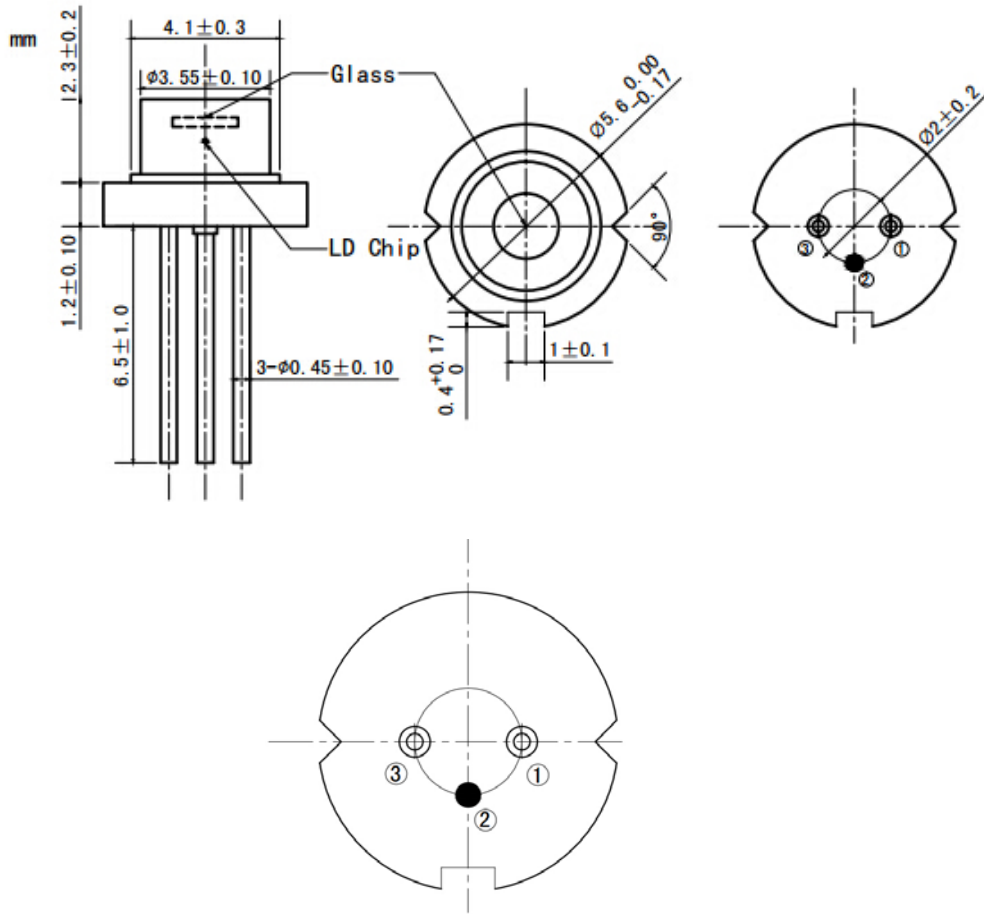


658nm Laser Diode		100mW/TO18		
PARAMETER	SYMBOL	VALUE	UNIT	
Reverse Voltage	V_r	2.0	V	
Operating Temperature	T_{op}	0~+60	°C	
Storage Temperature	T_{stg}	-40~+85	°C	
Lead soldering temperature (10 sec.)	T_{is}	260	°C	
Features: <ul style="list-style-type: none"> ✘ 658nm ✘ Single Mode ✘ Built-in PD ✘ TO18 Package 				
Applications: <ul style="list-style-type: none"> ✘ Medical Laser Treatment ✘ Laser Indicator ✘ Others 				
Specifications				
		Min	Type	Max
Center Wavelength@25°C		650nm	658nm	670nm
Spectral Width (FWHM)		2.0nm		
Output Power		----	100mW	----
Emitter		Single		
Beam Divergence (FWHM)		----	10°± x 16°//	----
Monitor Current		0.2mA		
PD MAX Reverse Voltage			----	30V
Recommended Operation Temperature		25°C		
Slope Efficiency		----	1.0mW/mA	----
Threshold Current (Typ.)		----	55mA	----
Operating Current (Typ.)		----	160mA	----
Operating Voltage		----	2.6V	3.2V
Package Style		TO18 (5.6mm)		

TO18 Package View



1	LD(-)
2	LD(+)&PD(-)
3	PD(+)

Electrically shorten LD module and store in non-extreme conditions.

Suggest using the constant current power supply.

