



PART NUMBER 0785L-46A
 ITEM NAME 785 NM NARROW LINEWIDTH LASER (HP VBG DIODE; SMA)

PRODUCT DATASHEET



DESCRIPTION

This 785 nm laser features single-longitudinal-mode (SLM) and operates in multiple transversal modes. It used mainly in industrial applications of Raman spectroscopy, where high-power single-frequency operation is needed without the necessity of sharp focusing.

The transversal modes are distributed in one row, thus the fast axis can be focussed with $M^2 \sim 1.3$, while the slow axis has multiple modes and its focusability is poor - theoretically, it can be focussed to a width of $\sim 50 \text{ }\mu\text{m}$.

This laser is a Volume Bragg Grating (VBG) stabilized diode laser, which is distinguished by high electrical efficiency and exceptional wavelength stability.

Note:

In optical systems with strong back-reflections (e.g. more than 10%), the laser must be protected by using an optical isolator with at least 20 dB isolation. Typical applications include interferometry, confocal microscopy (especially working with reflective samples), etc. Failure to comply with these requirements will render the warranty void for cases of COD (Catastrophic Optical Damage) of laser diode facets.

SPECIFICATIONS

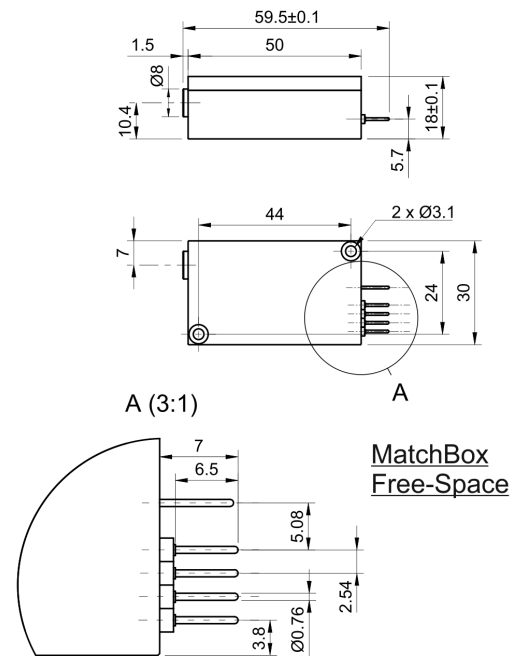
Specifications updated: 18 June 2021

Parameter	Minimum Value	Typical Value	Maximum Value
Central Wavelength, nm	784.5	785	785.5
Longitudinal modes	-	Narrow Spectrum	-
Transversal modes	-	Multiple	-
Spectral line width FWHM, pm	30	50	80
Output power, mW	-	350 ¹	-
Side-mode suppression ratio (SMSR), dB	40	50	60
Power stability, % (RMS, 8 hrs)	-	1 ²	2
Power stability, % (peak-to-peak, 8 hrs)	-	2 ³	3
Intensity noise, % (RMS, 20 Hz to 20 MHz)	-	0.25 ⁴	0.6
Transversal modes	-	TEM00	-
M^2 effective	-	N/A	-
Polarization contrast	1000	1500	2500
Polarization direction	-	Vertical	-
Control interface type	-	UART ⁵	-
Operation mode	-	APC (CW)	-
Modulation bandwidth, MHz	-	N/A	-
Input voltage, VDC	4.8	5	5.3
External power supply requirement	-	+5 V DC, 1.5 A	-
Dimensions, mm	-	50 x 30 x 18 ⁶	-
Beam height from the base, mm	9.9	10.4	10.9
Heat-sinking requirement, °C/W	-	1	-

TYPICAL SPECTRUM

Typical spectrum of 0785 nm diode laser. Measured with 20 pm resolution.

DRAWING



Optimum heatsink temperature, °C	15	20	30
Warm up time, mins (cold start)	0.2	1	2
Temperature stabilization	-	Internal TEC	-
Overheat protection	-	2	-
Storage temperature, °C (non-condensing)	-10	-	50
Net weight, kg	0.1	0.12	0.14
Max. power consumption, W	0.4	2	10
Warranty, months (op. hrs)	-	14 (10000) ⁷	-
RoHS	-	Yes	-
CE compliance	-	- General Product Safety Directive (GPSD) 2001/95/EC - (EMC) Directive 2004/108/EC	-
Laser Safety Class	-	3B	-
OEM lasers are not compliant with	-	IEC60825-1:2014 (compliant using additional accessories)	-
Country of origin	-	Lithuania	-

¹ The output power of SLM lasers shall not be tuned and SLM performance is not guaranteed at power ratings other than factory preset. However, the power setting capability is not disabled. External attenuators are recommended instead.

² The long term power test is carried out at constant laser body temperature (+/-0.1 °C) using an optical power meter with an input bandwidth of 10 Hz. The actual measurement rate has a period of about 20 seconds to 1 minute.

³ The long term power test is carried out at constant laser body temperature (+/-0.1 °C) using an optical power meter with an input bandwidth of 10 Hz. The actual measurement rate has a period of about 20 seconds to 1 minute.

⁴ Noise level is measured with a fast photodiode connected to an oscilloscope. The overall system bandwidth is from 2 kHz to 20 MHz.

⁵ Break-out-boxes AM-C8 and AM-C3 can be used for conversion of UART communication to either USB or RS232.

⁶ Excluding control interface pins and an output window/fiber assembly.

⁷ Whichever occurs first. The laser has an integrated operational hours counter.

Note: Product specifications are subject to change without prior notice to improve reliability, function or design or otherwise.