

MORE LIGHT

JenLas® D2

## Reliable medical, scientific and illumination applications with diode-pumped thin-disk lasers.

### Applications

JenLas® D2 is a class 4 OEM laser source for

- Medical engineering
- Show applications
- Display engineering
- Pumping of solid-state lasers
- Light exposure of plastic materials
- Substitution of Argon lasers

### Features

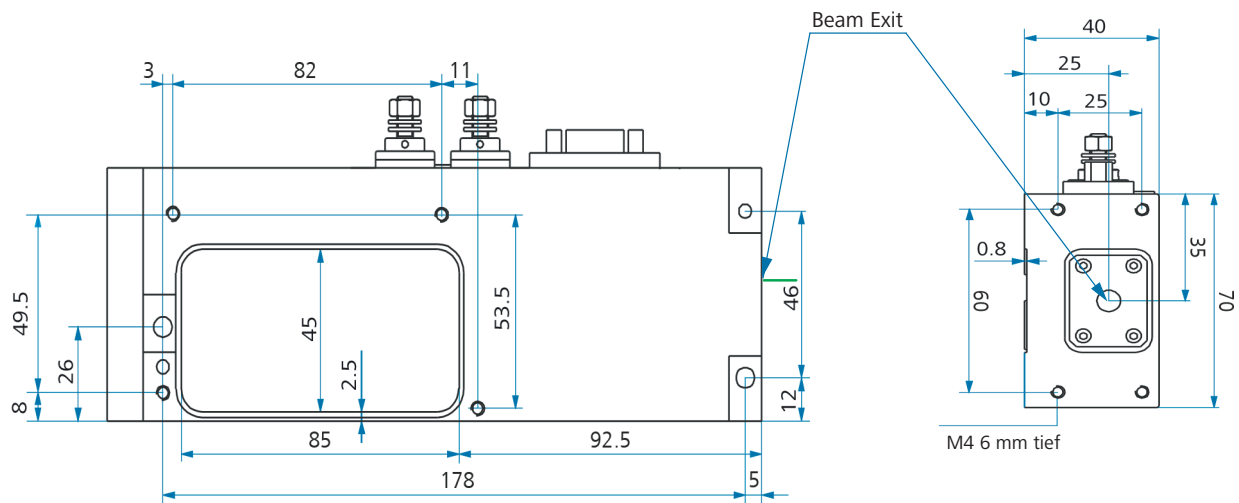
- OEM design for easy integration
- High beam quality
- Small dimensions
- Thin-disk laser
- Diode pumping
- Frequency doubling
- cw operation
- Peltier cooling (TEC), system contains no water

# Diode-pumped thin-disk laser, frequency-doubled JenLas® D2 | Specifications

Parameters	JenLas® D2
Laser	Thin-disk laser, diode-pumped
Laser class	4 (according to EN 60825-1:2001)
Wavelength	532 nm
Ambient temperature	5 °C ... 40 °C
<b>cw operation</b>	
Output power	3/5 W
M <sup>2</sup> (typical)	~ 5 (coupling into fiber with 50 µm core possible)
Pulse duration, switchable via diode laser current	~ 1 ms to cw (amplitude modulation up to 20 kHz possible)
Beam diameter	< 2 mm
<b>Electrical specifications</b>	
Electrical input data	2 V, typical 22 A (at diode laser for 5 W output power)
Input power	≤ 60 VA
<b>Mechanical specifications</b>	
Dimensions (W x H x L)	70 mm x 40 mm x 200 mm
Weight	1.8 kg

For the operation of the laser, a suitable power supply must be used that complies with the regulations relevant to the respective application. Please contact us for further technical details.

## JenLas® D2 | Laser head



It is our policy to constantly improve the design and specifications. Accordingly, the details represented herein cannot be regarded as final and binding.