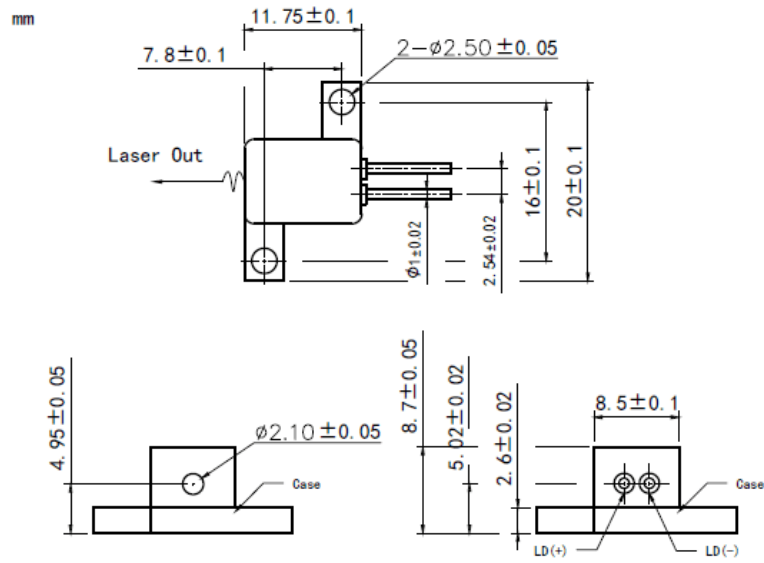


1060nm~1064nm 10W H-mount Laser Diode | Window Package | FAC Optional | Square Beam Optional
1064nm Laser Diode | High Power LD | 10W Power | H-mount Package | Hermetic Package
RWLD-1064-010-H

1064nm Laser Diode		10W/H-mount		
PARAMETER	SYMBOL	VALUE	UNIT	
Reverse Voltage	V_r	2.0	V	
Operating Temperature	T_{op}	+10~+30	°C	
Storage Temperature	T_{stg}	-20~ +80	°C	
Lead soldering temperature (10 sec.)	T_{is}	260	°C	
Features: <ul style="list-style-type: none"> ● 1064nm ● Multimode ● H-mount Package (Window Package) ● FAC Lens Optional 				
Applications: <ul style="list-style-type: none"> ● Medical Laser Treatment ● Laser Pumping ● Others 				
Specifications		RWLD-1064-010-H		
		Min	Type	Max
Center Wavelength@25°C		1064nm ± 20nm		
Spectral Width (FWHM)			4.0nm	
Output Power		----	10W	----
Emitter Area		----	100x1µm	----
Beam Divergence (FWHM)		----	30° _⊥ x 8° _{//}	----
Slope Efficiency		----	0.95W/A	----
Threshold Current (Typ.)		----	0.5A	1.5A
Operating Current (Typ.)		----	11.5A	12.0A
Operating Voltage		----	1.8V	2.2V
Package Style		H-mount		
Recommended Operating Temperature		25°C		

H-mount Package View



**Electrically shorten LD module and store in non-extreme conditions.
Suggest using the constant current power supply.**

