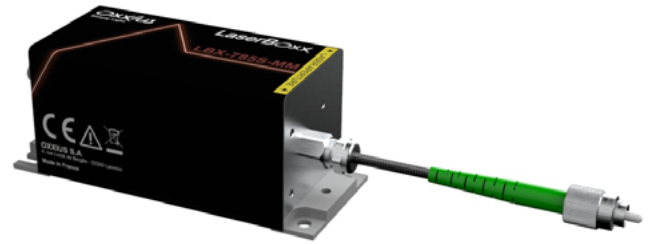


LBX-785S-MM Laser Diode



Optical characteristics

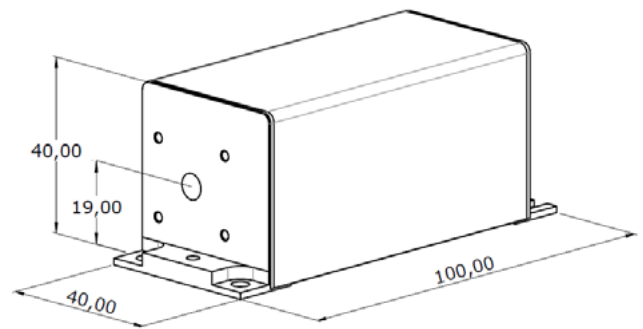
Single frequency stabilized diode laser module

Emission wavelength	785 nm
Wavelength range	± 0.5 nm
Wavelength stability over 8 hours and within ±3k	< 70 pm
Linewidth (FWHM)	< 0.07 nm
Side mode suppression	> 35 dB
Output power	> 500 mW
Spatial mode	multimode
Control mode(s)	Automatic Current Control (ACC)
Power stability over 8 hours and within ±3k	± 1%
Power adjustment	0 - 100%
Multimode fiber output	105 µm 0.22 N.A FC / APC connector
Fiber length	40 cm (± 2)
Fiber protection	black reinforced 3 mm diameter furcation tubing

— Plug and Play version provided with :

- ControlBoxx
- Power supply

System Specifications



Other options

- Heat sink

General specifications

	Plug and Play version	OEM version
Compliance	CE FDA 21 CFR 1040.10/1040.1	FDA 21 CFR 1040.10 / 1040.11
Operating temperature	10 - 38°C ambient air with optional heat sink	15 - 45°C baseplate
Power consumption	≤ 25 W	≤ 10 W
Storage temperature	0 to 60°C	
Supply voltage	100 to 240 VAC external power supply	5 to 12 VDC
Warm-up time	≤ 10 minutes	
Interfaces	USB, RS-232, dedicated electronic interface	

Warranty : 12 months from shipment date



CONTACT US

Oxxius S.A
4 rue Louis de Broglie
F-22300 Lannion, France

Phone : +33 296 48 70 28
sales@oxxius.com
www.oxxius.com