

HPOA-SFP

Single Frequency High Power Optical Amplifier

Applications

- ▶ Narrow Line width LIDAR Source Amplification
- ▶ Test & Measurement
- ▶ Free Space Communications

Features

- ▶ High Output Power, up to 5 W
- ▶ Compact module (170x150x25)
- ▶ Optically Isolated

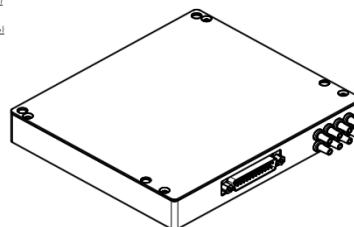
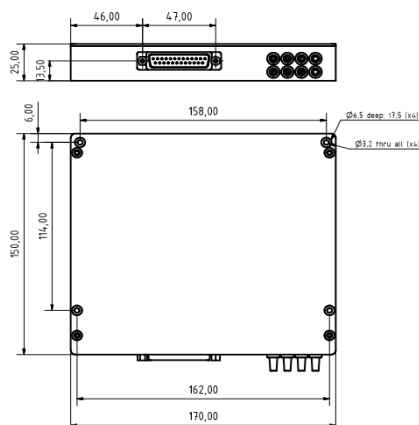


Parameter

Parameter Range

Parameter	Parameter Range
Wavelength	[nm] 1545 ... 1565
Output Power	[W] Up to 5
Input Power Range	[dBm] -10 ... +16
Noise Figure	[dB] 5.0
Polarization	Linear
PER	[dB] 23
Optical Isolation	[dB] 30
Return Loss	[dB] 40
Fiber Termination / Connector	0.9mm. 3mm cable / FC/APC, Collimator
Power Supply Voltage	[V] +5 / +24
Power Consumption	[W] <50
Operating Case Temperature	[°C] 10 ... 40
Communication Interface	RS232

Mechanical Dimensions



Ordering Information

Custom variants are available upon request, please contact our customer service to discuss your specification requirements.

Evaluation board available on request



Specifications are subject to change without notice