

LRA

Low RIN Optical Amplifier for LIDAR

Applications

- ▶ Wind measurement, pollution detection,
- ▶ Long Range Finding, Coherent detection,
- ▶ LIDAR, LIDAR-DIAL

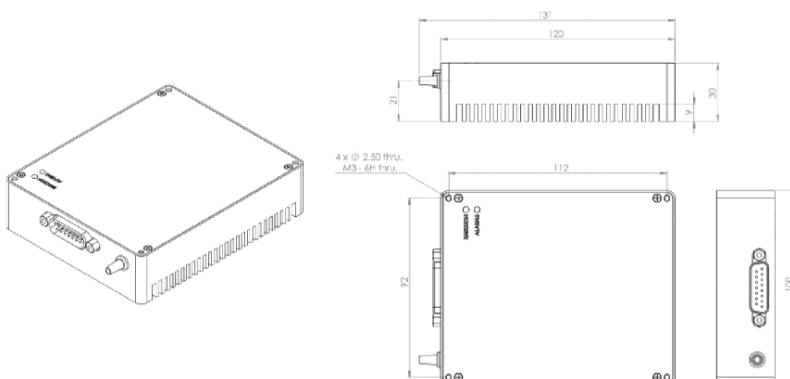
Features

- ▶ High Output Power, up to +33 dBm
- ▶ Long Coherence Length detection
- ▶ Low RIN noise



Parameter		Parameter Range
Wavelength	[nm]	1530 ... 1564
Output Power	[W]	Up to 2
Input Power Range	[dBm]	-14 ... +15
Noise Figure	[dB]	5.0
PDG	[dB]	0.3
PMD	[ps]	0.5
Optical Isolation	[dB]	30
Return Loss	[dB]	40
Fiber Termination / Connector		SC/APC, FC/APC, others Collimator
Power Supply Voltage	[V]	12
Power Consumption	[W]	20
Operating Case Temperature	[°C]	0 ... +70
Communication Interface		RS232 / I2C

Mechanical Dimensions



Ordering Information

Custom variants are available upon request, please contact our customer service to discuss your specification requirements. Evaluation board available on request



Specifications are subject to change without notice