

MOA

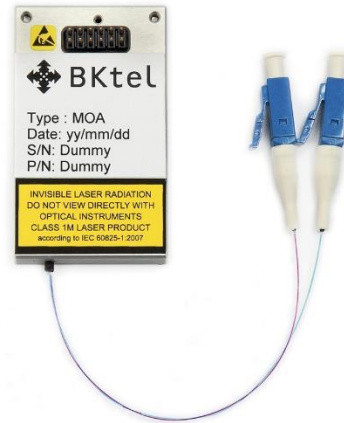
Miniaturized Telecom Optical Amplifier

Applications

- ▶ Long-Haul, Metro and Access Networks
- ▶ Single Channel Networks
- ▶ Test & Measurement

Features

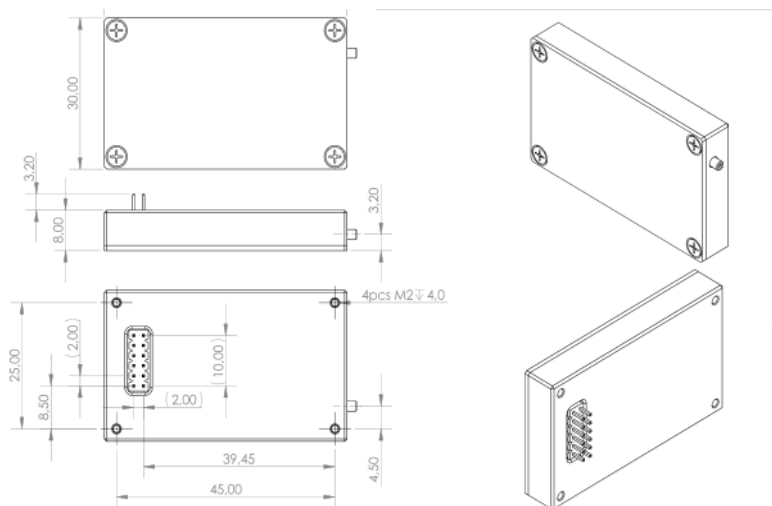
- ▶ High Output Power, up to +17dB
- ▶ Miniaturized package (30 x 50 x 8 mm)
- ▶ Low Noise Figure & Power Consumption



Parameter

Parameter		Parameter Range
Wavelength	[nm]	1529 ... 1564
Output Power	[dBm]	+17
Input Power Range	[dBm]	-30 ... +6
Noise Figure	[dB]	5.0
PDG	[dB]	0.3
PMD	[ps]	0.5
Optical Isolation	[dB]	30
Return Loss	[dB]	40
Fiber Termination / Connector		SC/APC, FC/APC, others
Power Supply Voltage	[V]	+3.3
Power Consumption	[W]	1.5
Operating Case Temperature	[°C]	0 ... +65
Communication Interface		RS232

Mechanical Dimensions



Ordering Information

Custom variants are available upon request, please contact our customer service to discuss your specification requirements.

Evaluation board available on request



Specifications are subject to change without notice