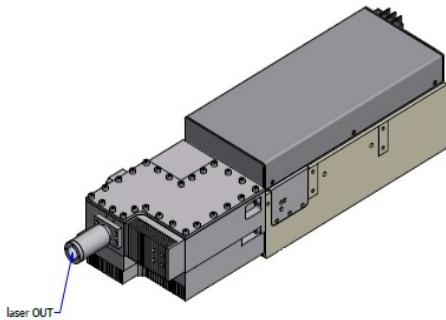


Onda 266nm

Spec. #: ND21701

High Peak Power Diode Pumped Solid State Laser



FEATURES

- _ Up to 100 uJ
- _ Short pulse duration
- _ Q-Switching: up to 50 kHz
- _ All solid state design
- _ Air Cooled
- _ Low heat waste

| Technical Specifications | Typical | |
|-----------------------------------|--|-----------------|
| Output Wavelength | 266 | nm |
| Pulse energy | Up to 100 | uJ |
| Pulse Width | 2 to 6 | ns |
| Repetition Rate | Single shot to 50 <i>(Option: equalized pulse energy below 10kHz)</i> | kHz |
| Polarization | Linear 100:1 | |
| Beam diameter (1/e ²) | < 2 | mm |
| Beam Quality (M ²) | < 1.5 @ 10 kHz | |
| Electrical Requirements | 24 V DC IN (*) | |
| Cooling | Air Cooled | |
| Preliminary Mechanical Dimensions | 360 x 105 x 95 | mm ³ |
| Weight | < 6 | kg |

(*) *Optional: 100-230 AC DC Power Supply*

| Options Available: | Applications: |
|--|---|
| - Low jitter option - Water cooling | - Micromachining - Material Processing |



All information included in this document is subject to change without notice.

Update data sheets can be provided after formal request.

For complete details, please contact your local **Bright Solutions** sales representative or visit our website at www.brightsolutions.it

Bright Solutions Srl

Via Artigiani, 27
27010 Cura Carpignano - PV
Italy

Ph. +39 0382583094

e-mail: sales@brightsolutions.it