



PART NUMBER 0405L-14A
 ITEM NAME 405 NM LASER (DIODE; MM FIBER)

PRODUCT DATASHEET



DESCRIPTION

Fiber-coupled 405 nm diode laser module is a robust and handy unit for alignment-free operation throughout the lifetime of the laser. Proprietary fiber coupling technology ensures good power stability and excellent fiber-coupling efficiency. An end-cap is provided against degradation of the fiber tip inside the module thus, up to 100 mW of power can be coupled into the fiber.

FC/PC connector is provided as a standard and the pigtail length is approx. 1 m. Other connectors are available as well.

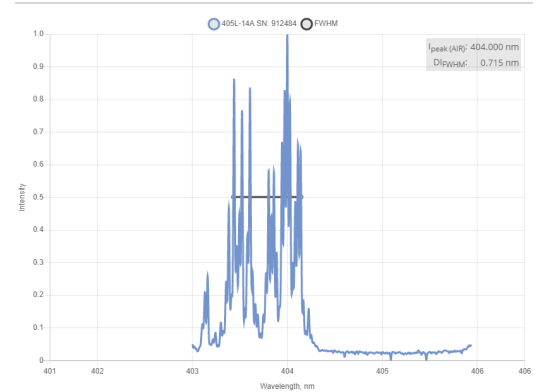
By default, this type of laser is built with FC/PC connector, but other fiber terminations are available upon request. Details about non-standard connector and the fiber used with it should be discussed with the Integrated Optics sales team.

SPECIFICATIONS

Specifications updated: 11 May 2021

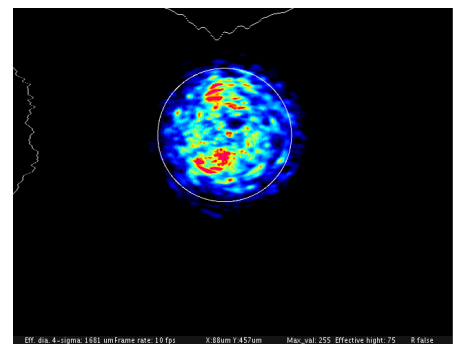
Parameter	Minimum Value	Typical Value	Maximum Value
Central Wavelength, nm	400	405	410
Spectral line width FWHM, nm	0.01	0.5	1
Output power, mW	-	150 ¹	200
Power stability, % (RMS, 8 hrs)	0.02	0.2 ²	0.5
Power stability, % (peak-to-peak, 8 hrs)	0.1	0.5 ³	3
Intensity noise, % (RMS, 20 Hz to 20 MHz)	0.05	0.25 ⁴	0.6
Longitudinal modes	-	Multiple	-
Transversal modes	-	Multiple	-
Fiber	-	FG105UCA	-
Fiber Length, m	0.95	1	1.1
Control interface type	-	UART ⁵	-
Operation mode	-	APC (CW) ⁶	-
Modulation bandwidth, MHz	-	10 ⁷	-
Input voltage, VDC	4.8	5	5.3
Input current, A	-	1.5	-
Max. power consumption, W	0.4	2	10
Heat-sinking requirement, °C/W	-	1	-
Optimum heatsink temperature, °C	15	20	30
Warm up time, mins (cold start)	0.1	0.5	1
Temperature stabilization	-	Internal TEC	-
External fan control	-	TBD ⁸	-
Overheat protection	-	Yes	-

TYPICAL SPECTRUM



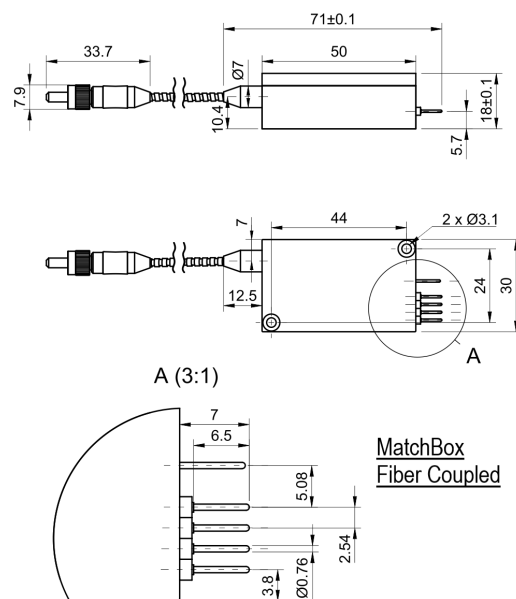
Typical spectrum of 0405 nm diode laser. Measured with 10 pm resolution.

TYPICAL NEAR FIELD



Storage temperature, °C (non-condensing)	-10	-	50
Dimensions (WxDxH), mm	-	50 x 30 x 18 ⁹	-
Net weight, kg	0.1	0.12	0.14
Laser Safety Class	-	3B	-
RoHS	-	Yes	-
CE compliance	-	- General Product Safety Directive (GPSD) 2001/95/EC - (EMC) Directive 2004/108/EC	-
OEM lasers are not compliant with	-	IEC60825-1:2014 (compliant using additional accessories)	-
Country of origin	-	Lithuania	-
Warranty, months (op. hrs)	-	14 (10000) ¹⁰	-

DRAWING



¹ The optical power can be tuned from virtually 0% to 100%. However, other specifications, such as central wavelength, power stability, noise, polarization ratio, beam shape, quality and circularity are not guaranteed at power levels other than factory preset power. Significantly worse power stability is to be expected at very low power levels, e.g. <3% from specified nominal power.

² The long term power test is carried out at constant laser body temperature (+/-0.1 °C) using an optical power meter with an input bandwidth of 10 Hz. The actual measurement rate has a period of about 20 seconds to 1 minute.

³ The long term power test is carried out at constant laser body temperature (+/-0.1 °C) using an optical power meter with an input bandwidth of 10 Hz. The actual measurement rate has a period of about 20 seconds to 1 minute.

⁴ Noise level is measured with a fast photodiode connected to an oscilloscope. The overall system bandwidth is from 2 kHz to 20 MHz.

⁵ Break-out-boxes AM-C8 and AM-C3 can be used for conversion of UART communication to either USB or RS232.

⁶ APC - Automatic Power Control.

⁷ TTL digital modulation up to 10 MHz in automatic current control (ACC) mode. TTL modulation speed in automatic power control (APC) is up to 1 kHz.

⁸ This function can be enabled in hardware only if the fast TTL modulation option is disabled. The customer must specify whether the fan control or TTL modulation is required before ordering the laser.

⁹ Excluding control interface pins and an output window/fiber assembly.

¹⁰ Whichever occurs first. The laser has an integrated operational hours counter.

Note: Product specifications are subject to change without prior notice to improve reliability, function or design or otherwise.