
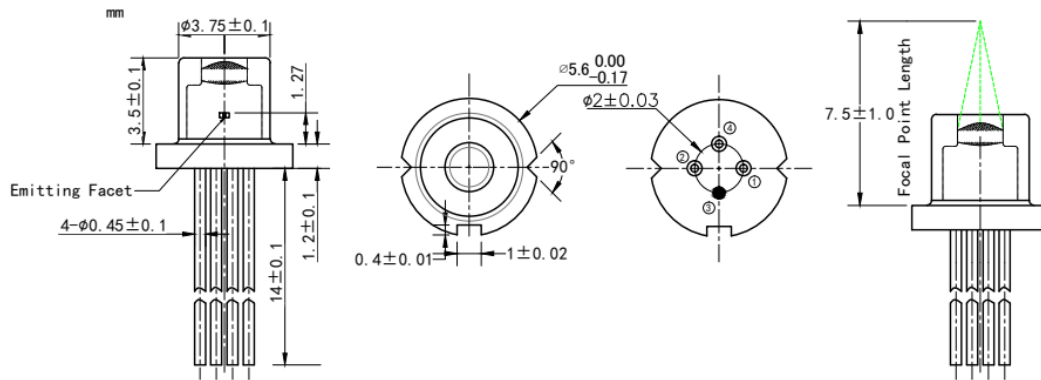


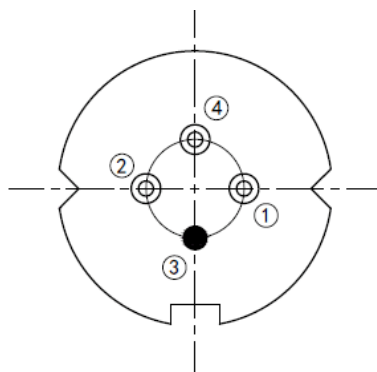
**1270nm 20mW DFB Laser Diodes | TO18 5.6mm LD | Flat Window Optional**  
**1270nm 20mW Single Mode LD | With Non-Spherical Lens | Built-in Photodiode**  
**RWLD-1270-020m-1-PD**

1270nm Laser Diode		20mW	Single mode /DFB	en.wavespectrum-laser.com.cn
Reverse Voltage	$V_r$	2.0	V	
Operating Temperature	$T_{op}$	-10~+50	°C	
Storage Temperature	$T_{stg}$	-40~+85	°C	
Lead soldering temperature (10 sec.)	$T_{is}$	260	°C	
<b>Features:</b> <ul style="list-style-type: none"> <li>1270nm</li> <li>DFB Laser</li> <li>Built-in PD</li> <li>With Non-Spherical Lens</li> <li>Flat Window Optional</li> </ul>				
<b>Applications:</b> <ul style="list-style-type: none"> <li>Optical Fiber Communication</li> <li>Free-space Optical Communication</li> </ul>				
<b>Specifications</b>		<b>RWLD-1270-020m-1-PD</b>		
		<b>Min</b>	<b>Type</b>	<b>Max</b>
Center Wavelength@25°C		±3nm	1270nm	±10nm
Spectral Width (FWHM)			0.3nm	1nm
Output Power			20mW	
Recommend Operating Temperature		25°C		
Laser Type		DFB		
Reverse current (PD) $I_{rp}$			0.5mA	
Reverse voltage (PD) $V_{rp}$			----	15V
Threshold Current (Typ.)			5mA	15mA
Operating Current (Typ.)			80mA	90mA
Operating Voltage			1.4V	1.7V
Package Style		TO18		
Window Type		Flat Window (Optional)		
		Non-Spherical-Lens Window (standard)		

**Package View:**

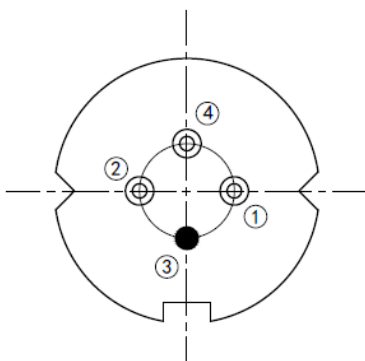


**PIN Bottom View (A-Type):**



PIN 1	PD (+)
PIN 2	LD (-)
PIN 3	LD (+), CASE
PIN 4	PD (-)

**PIN Bottom View (B-Type):**



PIN 1	LD (+) PD (-)
PIN 2	LD (-)
PIN 3	CASE
PIN 4	PD (+)

**Electrically shorten LD module and store in non-extreme conditions.**

**Suggest using the constant current power supply.**

