
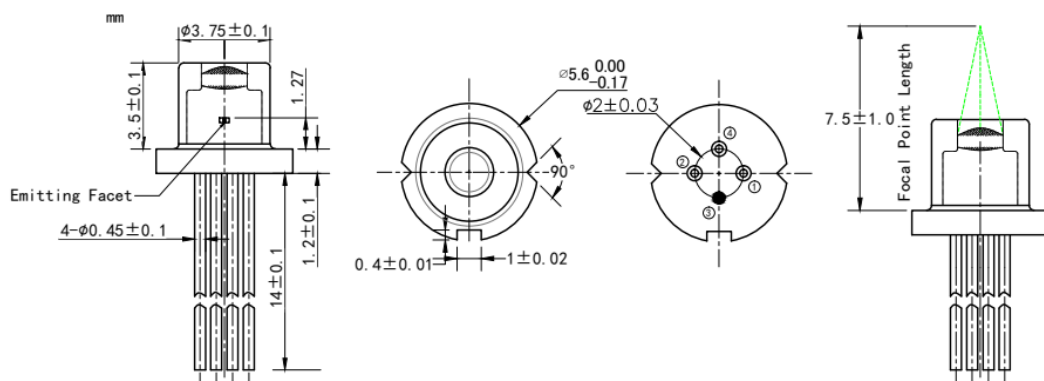


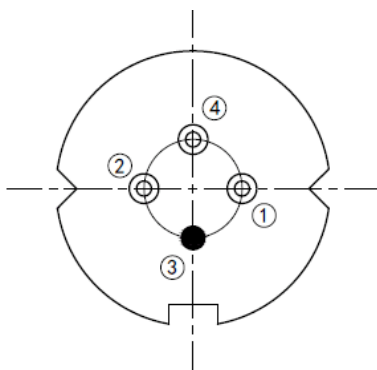
1290nm 20mW DFB Laser Diodes| TO18 5.6mm LD | Flat Window Optional
1290nm 20mW Single Mode LD | With Non-Spherical Lens | Built-in Photodiode
RWLD-1290-020m-1-PD

1290nm Laser Diode 20mW Single mode /DFB			
Reverse Voltage	V_r	2.0	V
Operating Temperature	T_{op}	-10~+50	°C
Storage Temperature	T_{stg}	-40~+85	°C
Lead soldering temperature (10 sec.)	T_{is}	260	°C
Features: <ul style="list-style-type: none"> 🔸 1290nm 🔸 DFB Laser 🔸 Built-in PD 🔸 With Non-Spherical Lens 🔸 Flat Window Optional 			
Applications: <ul style="list-style-type: none"> 🔸 Optical Fiber Communication 🔸 Free-space Optical Communication 			
Specifications	RWLD-1290-020m-1-PD		
	Min	Type	Max
Center Wavelength@25°C	$\pm 3\text{nm}$	1290nm	$\pm 10\text{nm}$
Spectral Width (FWHM)		0.3nm	1nm
Output Power		20mW	
Recommend Operating Temperature	25°C		
Laser Type	DFB		
Reverse current (PD) I_{rp}		0.5mA	
Reverse voltage (PD) V_{rp}		----	15V
Threshold Current (Typ.)		5mA	15mA
Operating Current (Typ.)		80mA	90mA
Operating Voltage		1.4V	1.7V
Package Style	TO18		
Window Type	Flat Window (Optional)		
	Non-Spherical-Lens Window (standard)		

Package View:

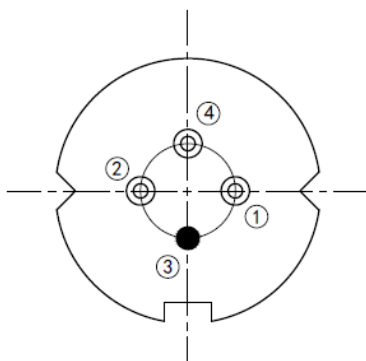


PIN Bottom View (A-Type):



PIN 1	PD (+)
PIN 2	LD (-)
PIN 3	LD (+), CASE
PIN 4	PD (-)

PIN Bottom View (B-Type):



PIN 1	LD (+) PD (-)
PIN 2	LD (-)
PIN 3	CASE
PIN 4	PD (+)

Electrically shorten LD module and store in non-extreme conditions.

Suggest using the constant current power supply.

