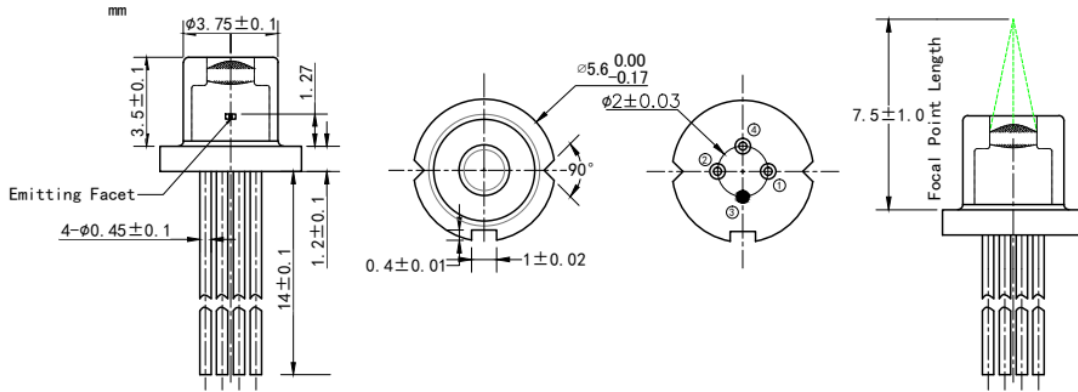


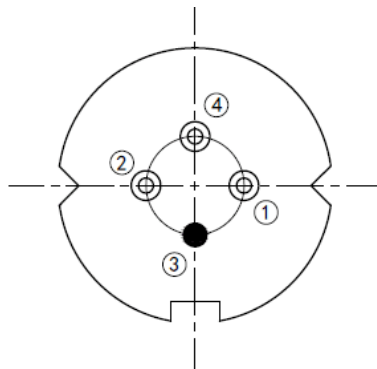
**1310nm 20mW DFB Laser Diodes | TO18 5.6mm LD | Flat Window Optional**  
**1310nm 20mW Single Mode LD | With Non-Spherical Lens | Built-in Photodiode**  
**RWLD-1310-020m-1-PD**

1310nm Laser Diode      20mW      Single mode /DFB			
Reverse Voltage	$V_r$	2.0	V
Operating Temperature	$T_{op}$	-10 ~ +50	°C
Storage Temperature	$T_{stg}$	-40 ~ +85	°C
Lead soldering temperature (10 sec.)	$T_{is}$	260	°C
<b>Features:</b> <ul style="list-style-type: none"> <li>• 1310nm</li> <li>• DFB Laser</li> <li>• Built-in PD</li> <li>• With Non-Spherical Lens</li> <li>• Flat Window Optional</li> </ul>			
<b>Applications:</b> <ul style="list-style-type: none"> <li>• Optical Fiber Communication</li> <li>• Free-space Optical Communication</li> </ul>			
<b>Specifications</b>	<b>RWLD-1310-020m-1-PD</b>		
	Min	Type	Max
Center Wavelength@25°C	±3nm	1310nm	±10nm
Spectral Width (FWHM)		----	2nm
Output Power		20mW	
Recommend Operating Temperature	25°C		
Laser Type	DFB		
Reverse current (PD) $I_{rp}$		0.5mA	
Reverse voltage (PD) $V_{rp}$		----	15V
Threshold Current (Typ.)		5mA	15mA
Operating Current (Typ.)		80mA	90mA
Operating Voltage		1.4V	1.7V
Package Style	TO18		
Window Type	Flat Window (Optional)		
	Non-Spherical-Lens Window (standard)		

**Package View:**

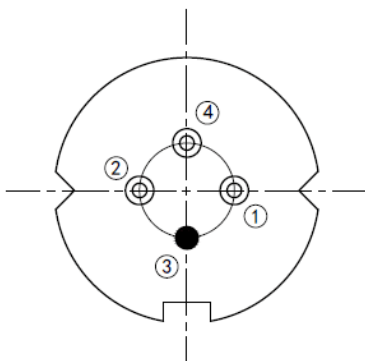


**PIN Bottom View (A-Type):**



PIN 1	PD (+)
PIN 2	LD (-)
PIN 3	LD (+), CASE
PIN 4	PD (-)

**PIN Bottom View (B-Type):**



PIN 1	LD (+) PD (-)
PIN 2	LD (-)
PIN 3	CASE
PIN 4	PD (+)

Electrically shorten LD module and store in non-extreme conditions.

Suggest using the constant current power supply.

