
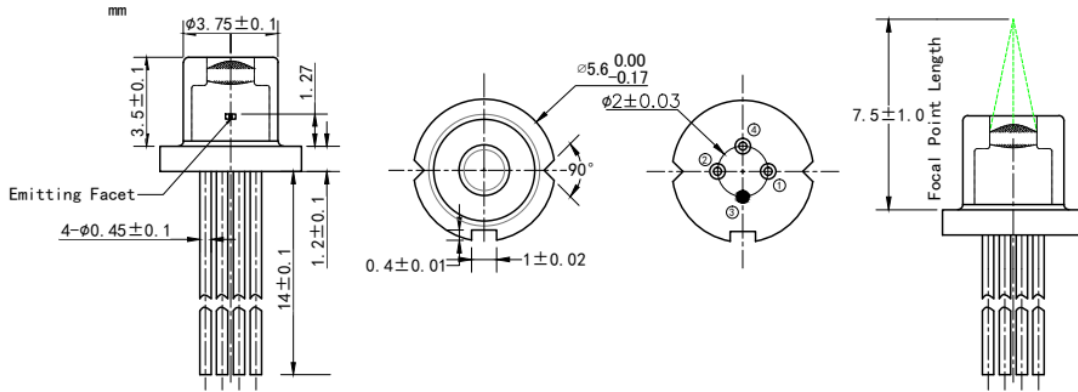


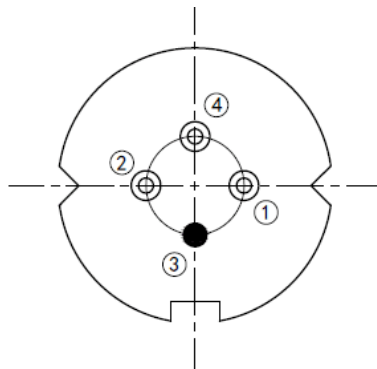
1310nm 30mW DFB Laser Diodes | TO18 5.6mm LD | Flat Window Optional
1310nm 30mW Single Mode LD | With Non-Spherical Lens | Built-in Photodiode
RWLD-1310-030m-1-PD

1310nm Laser Diode 30mW Single mode /DFB			
Reverse Voltage	V_r	2.0	V
Operating Temperature	T_{op}	-10 ~ +50	°C
Storage Temperature	T_{stg}	-40 ~ +85	°C
Lead soldering temperature (10 sec.)	T_{is}	260	°C
Features: <ul style="list-style-type: none"> 1310nm DFB Laser Built-in PD With Non-Spherical Lens Flat Window Optional 			
Applications: <ul style="list-style-type: none"> Optical Fiber Communication Free-space Optical Communication 			
Specifications		RWLD-1310-030m-1-PD	
		Min	Type
Center Wavelength@25°C		±3nm	1310nm
Spectral Width (FWHM)			2nm
Output Power			30mW
Recommend Operating Temperature		25°C	
Laser Type		DFB	
Reverse current (PD) I_{rp}			0.5mA
Reverse voltage (PD) V_{rp}			15V
Threshold Current (Typ.)			5mA
Operating Current (Typ.)			90mA
Operating Voltage			1.4V
Package Style		TO18	
Window Type		Flat Window (Optional)	
		Non-Spherical-Lens Window (standard)	

Package View:

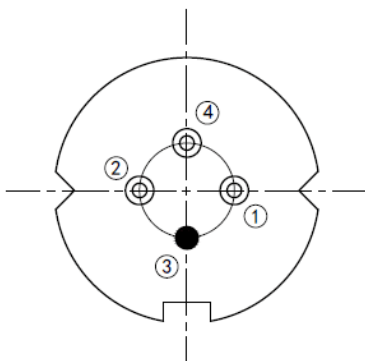


PIN Bottom View (A-Type):



PIN 1	PD (+)
PIN 2	LD (-)
PIN 3	LD (+), CASE
PIN 4	PD (-)

PIN Bottom View (B-Type):



PIN 1	LD (+) PD (-)
PIN 2	LD (-)
PIN 3	CASE
PIN 4	PD (+)

Electrically shorten LD module and store in non-extreme conditions.

Suggest using the constant current power supply.

