
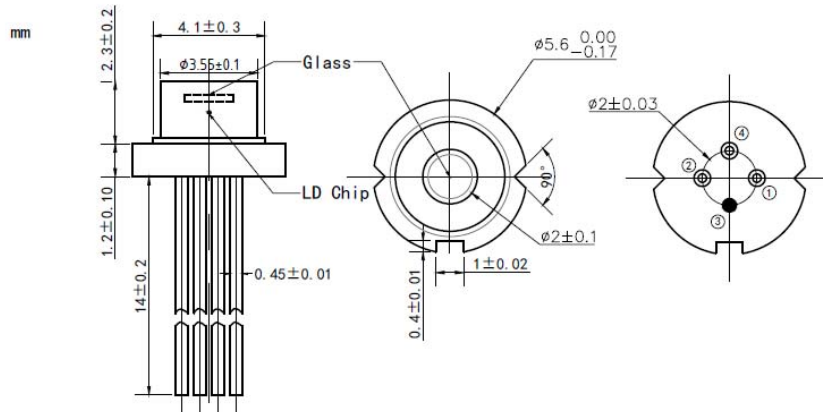


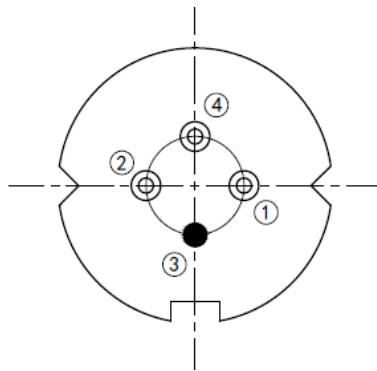
**1390nm 20mW DFB SM Laser Diodes | TO18 5.6mm LD | With Flat Window**  
**1390nm 20mW Single Mode LD | Built-in PD**  
**RWLD-1390-020m-1-PD-F**

1390nm Laser Diode    20mW    Single mode /DFB			
Reverse Voltage	$V_r$	2.0	V
Operating Temperature	$T_{op}$	-10~+50	°C
Storage Temperature	$T_{stg}$	-40~+85	°C
Lead soldering temperature (10 sec.)	$T_{is}$	260	°C
<b>Features:</b> <ul style="list-style-type: none"> <li>● 1390nm</li> <li>● Single Mode Beam</li> <li>● DFB LD</li> <li>● With Flat Window</li> <li>● Built-in PD</li> </ul>			
<b>Applications:</b> <ul style="list-style-type: none"> <li>● Optical Fiber Communication</li> <li>● Free-space Optical Communication</li> </ul>			
<b>Specifications</b>		<b>RWLD-1390-020m-1-PD-F</b>	
		Min	Type
Center Wavelength@25°C		±3nm	1390nm
Output Power			20mW
Spectral Width (FWHM)			0.3nm
Laser Type			DFB
Recommend Operating Temperature			25°C
Beam Divergence (FWHM)			35° <sub>⊥</sub> x 25° <sub>//</sub>
Reverse Current (PD) $I_{rp}$			0.5mA
Reverse Voltage (PD) $V_{rp}$			----
Threshold Current (Typ.)			5mA
Operating Current (Typ.)			90mA
Operating Voltage			1.4V
Package Style			TO18
Window Type			Flat Window

**Package View:**

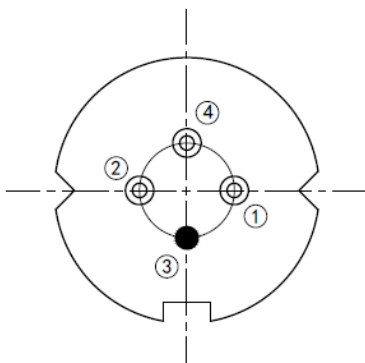


**PIN Bottom View (A-Type):**



PIN 1	PD (+)
PIN 2	LD (-)
PIN 3	LD (+), CASE
PIN 4	PD (-)

**PIN Bottom View (B-Type):**



PIN 1	LD (+) PD (-)
PIN 2	LD (-)
PIN 3	CASE
PIN 4	PD (+)

Electrically shorten LD module and store in non-extreme conditions.

Suggest using the constant current power supply.

