
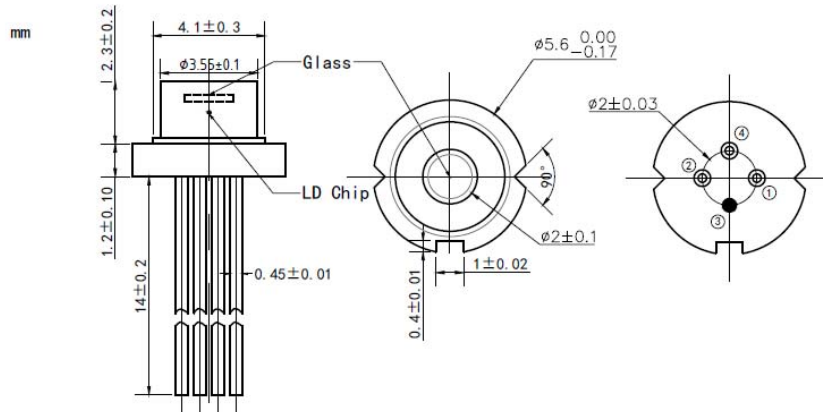


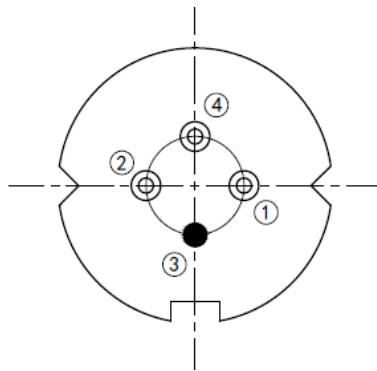
**1470nm 15mW DFB SM Laser Diodes | TO18 5.6mm LD | With Flat Window**  
**1470nm 15mW Single Mode LD | Built-in PD**  
**RWLD-1470-015m-1-PD-F**

| 1470nm Laser Diode      15mW      Single mode /DFB   |           |   |   |
|--|-----------|---|---|
| Reverse Voltage  | $V_r$     | 2.0   | V                                       |
| Operating Temperature  | $T_{op}$  | -10 ~ +50   | °C                                      |
| Storage Temperature  | $T_{stg}$ | -40 ~ +85   | °C                                      |
| Lead soldering temperature (10 sec.)   | $T_{is}$  | 260   | °C                                      |
| <b>Features:</b> <ul style="list-style-type: none"> <li>● 1470nm</li> <li>● Single Mode Beam</li> <li>● DFB LD</li> <li>● With Flat Window</li> <li>● Built-in PD</li> </ul> |           |  |   |
| <b>Applications:</b> <ul style="list-style-type: none"> <li>● Optical Fiber Communication</li> <li>● Free-space Optical Communication</li> </ul>                             |           |   |   |
| <b>Specifications</b>  |           | <b>RWLD-1470-015m-1-PD-F</b>  |   |
|  |           | Min   | Type                                    |
| Center Wavelength@25°C   |           | $\pm 3\text{nm}$  | 1470nm                                  |
| Output Power   |           |   | 15mW                                    |
| Spectral Width (FWHM)  |           |   | 0.3nm                                   |
| Laser Type   |           |   | DFB                                     |
| Recommend Operating Temperature  |           |   | 25°C                                    |
| Beam Divergence (FWHM)   |           |   | $35^\circ_{\perp} \times 25^\circ_{//}$ |
| Reverse Current (PD) $I_{rp}$  |           |   | 0.5mA                                   |
| Reverse Voltage (PD) $V_{rp}$  |           |   | ----                                    |
| Threshold Current (Typ.)   |           |   | 5mA                                     |
| Operating Current (Typ.)   |           |   | 90mA                                    |
| Operating Voltage  |           |   | 1.4V                                    |
| Package Style  |           |   | TO18                                    |
| Window Type  |           |   | Flat Window                             |
|  |           |   |   |

**Package View:**

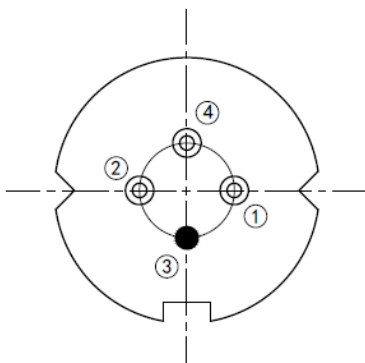


**PIN Bottom View (A-Type):**



|       |              |
|-------|--------------|
| PIN 1 | PD (+)       |
| PIN 2 | LD (-)       |
| PIN 3 | LD (+), CASE |
| PIN 4 | PD (-)       |

**PIN Bottom View (B-Type):**



|       |               |
|-------|---------------|
| PIN 1 | LD (+) PD (-) |
| PIN 2 | LD (-)        |
| PIN 3 | CASE          |
| PIN 4 | PD (+)        |

Electrically shorten LD module and store in non-extreme conditions.

Suggest using the constant current power supply.

