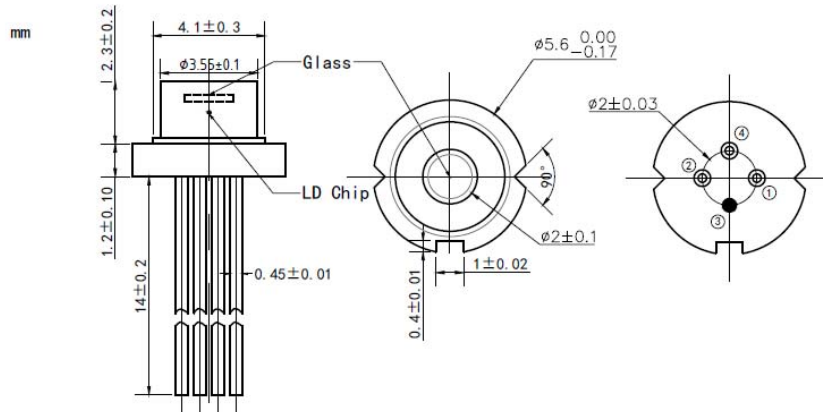


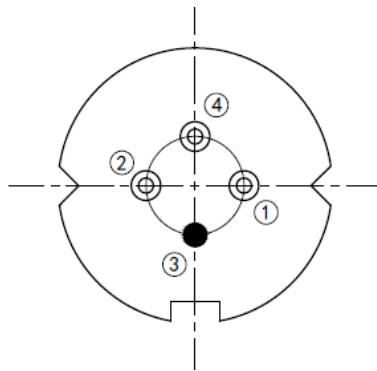
1570nm 15mW DFB SM Laser Diodes | TO18 5.6mm LD | With Flat Window
1570nm 15mW Single Mode LD | Built-in PD
RWLD-1570-015m-1-PD-F

1570nm Laser Diode 15mW Single mode /DFB			
Reverse Voltage	V_r	2.0	V
Operating Temperature	T_{op}	-10 ~ +50	°C
Storage Temperature	T_{stg}	-40 ~ +85	°C
Lead soldering temperature (10 sec.)	T_{is}	260	°C
Features: <ul style="list-style-type: none"> ● 1570nm ● Single Mode Beam ● DFB LD ● With Flat Window ● Built-in PD 			
Applications: <ul style="list-style-type: none"> ● Optical Fiber Communication ● Free-space Optical Communication 			
Specifications		RWLD-1570-015m-1-PD-F	
		Min	Max
Center Wavelength@25°C		±3nm	±10nm
Output Power		15mW	
Spectral Width (FWHM)		0.3nm	1nm
Laser Type		DFB	
Recommend Operating Temperature		25°C	
Beam Divergence (FWHM)		35° _⊥ x 25° _{//}	
Reverse Current (PD) I_{rp}		0.5mA	
Reverse Voltage (PD) V_{rp}		----	15V
Threshold Current (Typ.)		5mA	15mA
Operating Current (Typ.)		90mA	100mA
Operating Voltage		1.4V	1.7V
Package Style		TO18	
Window Type		Flat Window	

Package View:

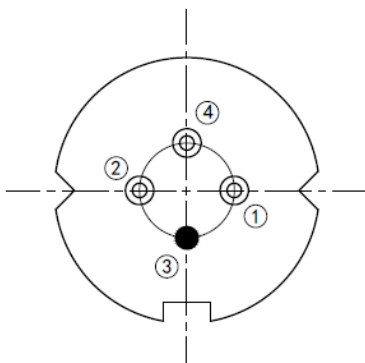


PIN Bottom View (A-Type):



PIN 1	PD (+)
PIN 2	LD (-)
PIN 3	LD (+), CASE
PIN 4	PD (-)

PIN Bottom View (B-Type):



PIN 1	LD (+) PD (-)
PIN 2	LD (-)
PIN 3	CASE
PIN 4	PD (+)

Electrically shorten LD module and store in non-extreme conditions.

Suggest using the constant current power supply.

