
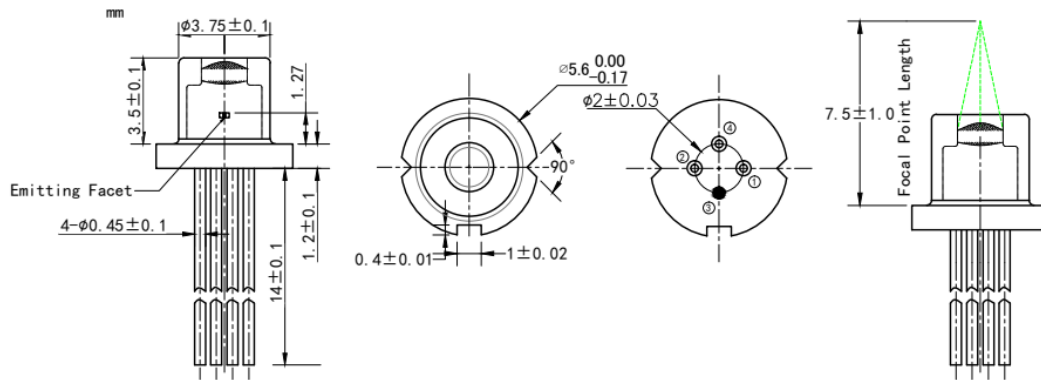


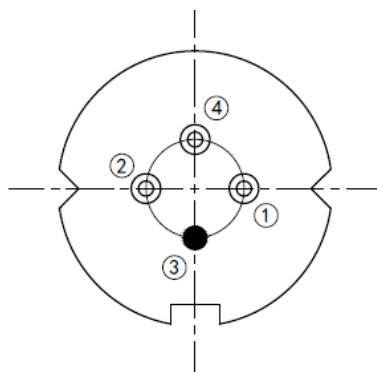
1610nm 15mW DFB Laser Diodes | TO18 5.6mm LD | Flat Window Optional
1610nm 15mW Single Mode LD | With Non-Spherical Lens | Built-in Photodiode
RWLD-1610-015m-1-PD

1610nm Laser Diode	15mW	Single mode /DFB	en.wavespectrum-laser.com.cn	
Reverse Voltage	V_r	2.0	V	
Operating Temperature	T_{op}	-10~+50	°C	
Storage Temperature	T_{stg}	-40~+85	°C	
Lead soldering temperature (10 sec.)	T_{is}	260	°C	
Features: <ul style="list-style-type: none"> 1610nm DFB Laser Built-in PD With Non-Spherical Lens Flat Window Optional 				
Applications: <ul style="list-style-type: none"> Optical Fiber Communication Free-space Optical Communication 				
Specifications		RWLD-1610-015m-1-PD		
		Min	Type	Max
Center Wavelength@25°C		±3nm	1610nm	±10nm
Spectral Width (FWHM)			0.3nm	1nm
Output Power			15mW	
Recommend Operating Temperature			25°C	
Laser Type			DFB	
Reverse current (PD) I_{rp}			0.5mA	
Reverse voltage (PD) V_{rp}			----	15V
Threshold Current (Typ.)			5mA	15mA
Operating Current (Typ.)			80mA	90mA
Operating Voltage			1.4V	1.7V
Package Style			TO18	
Window Type			Flat Window (Optional)	
			Non-Spherical-Lens Window (standard)	

Package View:

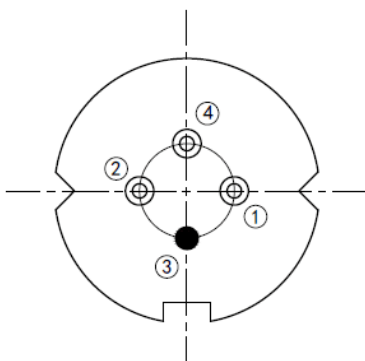


PIN Bottom View (A-Type):



PIN 1	PD (+)
PIN 2	LD (-)
PIN 3	LD (+), CASE
PIN 4	PD (-)

PIN Bottom View (B-Type):



PIN 1	LD (+) PD (-)
PIN 2	LD (-)
PIN 3	CASE
PIN 4	PD (+)

Electrically shorten LD module and store in non-extreme conditions.

Suggest using the constant current power supply.

