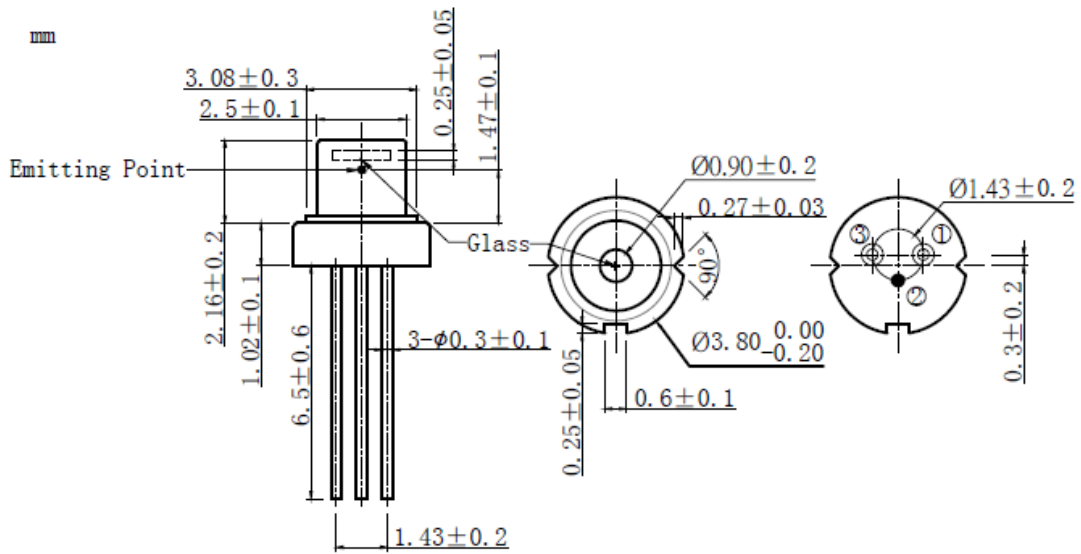


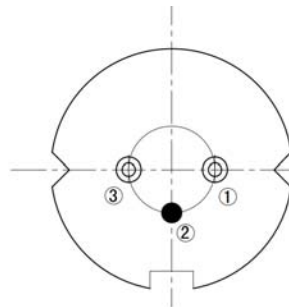
405nm 200mW SM Laser Diode| Single Mode LD
405nm SM LD| 200mW Power|3.8mm Package
RWLD-405-200m-1

405nm Laser Diode		200mW/3.8mm	
PARAMETER	SYMBOL	VALUE	UNIT
Reverse Voltage	V_r	2.0	V
Operating Temperature	T_{op}	-10~+70	°C
Storage Temperature	T_{stg}	-40~+85	°C
Lead soldering temperature (10 sec.)	T_{is}	260	°C
Features: <ul style="list-style-type: none"> 405nm CW/Pulse Single Mode Beam 3.8mm Package 			
Applications: <ul style="list-style-type: none"> Medical Laser Treatment Printing Others 			
Specifications		RWLD-405-200m-1	
		Min	Type
Center Wavelength@25°C		405nm±10nm	
Spectral Width (FWHM)		2.0nm	
Output Power (CW)		----	200mW
Beam Type		Single Mode	
Beam Divergence (FWHM)		15°± x 7° //	20°± x 9° //
Recommended Operating Temperature		25 °C	
Slope Efficiency		1.0mW/mA	1.5mW/mA
Threshold Current (Typ.)		----	35mA
Operating Current (Typ.)		----	160mA
Operating Voltage		----	5.2V
Package Style		3.8mm	
Output Power (Pulse Mode)		400mW	
		Pulse Mode Condition : Width 30ns Duty 50%	

Drawing



PIN Bottom View:



1	LD(+)
2	GND
3	LD(-)

Electrically shorten LD module and store in non-extreme conditions.
Suggest using the constant current power supply.

