


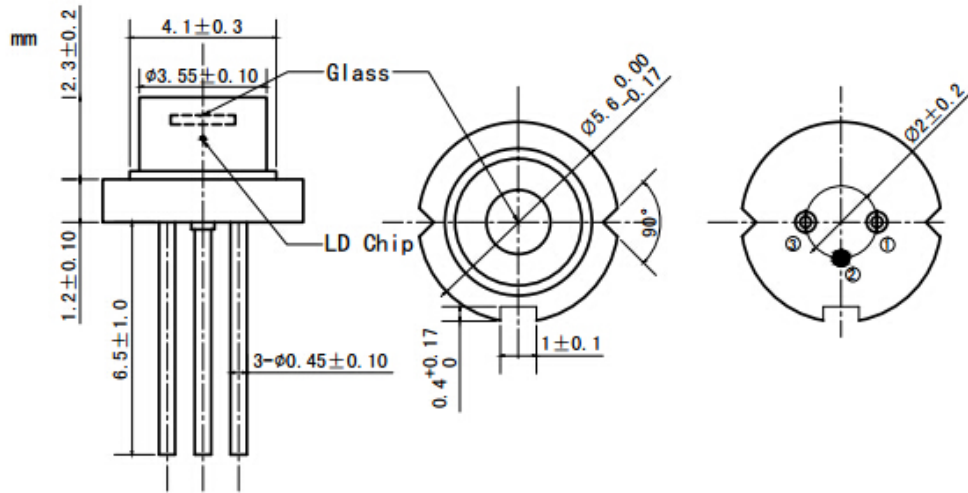
405nm 250mW Single Mode Laser Diode | SM LD |Violet LD |5.6mm Package

405nm LD |250mW Power|TO18 Package

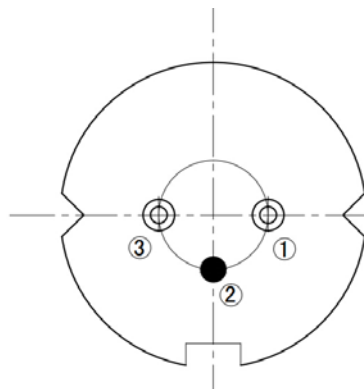
RWLD-405-250m-1

405nm Laser Diode		250mW/TO18	
PARAMETER	SYMBOL	VALUE	UNIT
Reverse Voltage	V_r	5.0	V
Operating Temperature	T_{op}	0 ~ +70	°C
Storage Temperature	T_{stg}	-40 ~ +85	°C
Lead soldering temperature (10 sec.)	T_{is}	260	°C
Features: <ul style="list-style-type: none"> ● 405nm ● Single Mode Beam ● TO18 Package 			
Applications: <ul style="list-style-type: none"> ● Medical Laser Treatment ● Printing ● Others 			
Specifications	RWLD-405-250m-1		
	Min	Type	Max
Center Wavelength@25°C	±5nm	405nm	±10nm
Spectral Width (FWHM)	2.0nm		
Output Power	----	250mW	----
Recommended Operating Temperature	25°C		
Beam Divergence (FWHM)	----	22° ± x 10° //	----
Slope Efficiency	----	1.7mW/mA	----
Threshold Current (Typ.)	----	30mA	60mA
Operating Current (Typ.)	----	190mA	210mA
Operating Voltage	----	5.5V	6.5V
Package Style	TO18(5.6mm)		

TO18 Package View



PIN Bottom View:



1	LD(+)
2	GND
3	LD(-)

Electrically shorten LD module and store in non-extreme conditions.
Suggest using the constant current power supply.

