


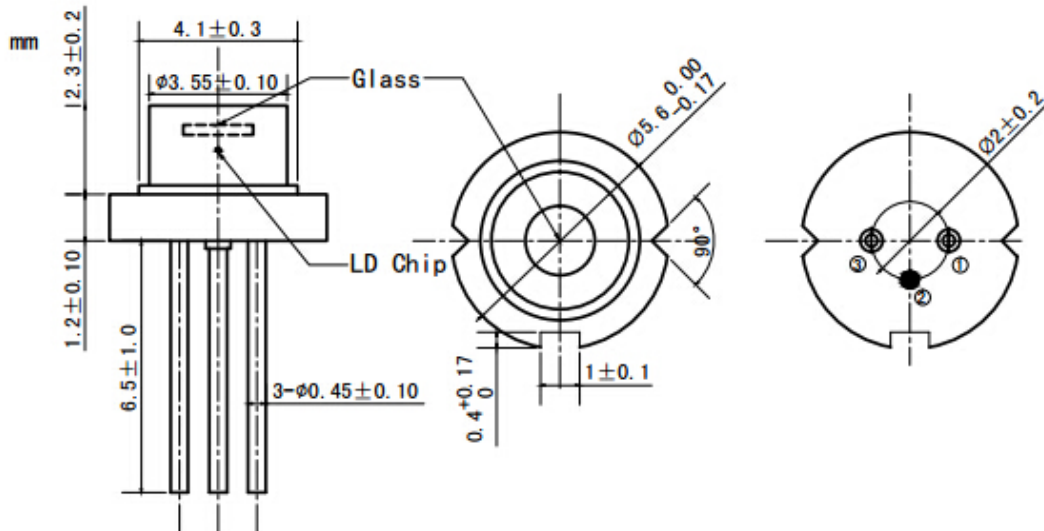
488nm~490nm 100mW Single Mode Laser Diode| High Power Sky Blue LD | TO18 Package

485nm~488nm~492nm LD| 100mW Power|5.6mm Package Blue SM Diode Laser

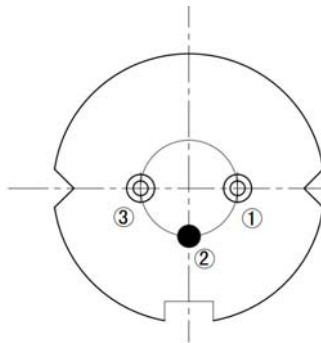
RWLD-488-100m-1

488nm Laser Diode		100mW/TO18	
PARAMETER	SYMBOL	VALUE	UNIT
Reverse Voltage	V_r	2.0	V
Operating Temperature	T_{op}	-10~+60	°C
Storage Temperature	T_{stg}	-40~+85	°C
Lead soldering temperature (10 sec.)	T_{is}	260	°C
Features: <ul style="list-style-type: none"> 488nm 100mW TO18 Package 			
Applications: <ul style="list-style-type: none"> Medical Laser Treatment Laser Indicator Laser Detector 			
Specifications		RWLD-488-100m-1	
		Min	Type
Center Wavelength@25°C		488nm±10nm	
Spectral Width (FWHM)		2.0nm	
Output Power		----	100mW
Laser Mode		Single Mode	
Beam Divergence (FWHM)		----	24°± x 8°//
Threshold Current (Typ.)		----	35mA
Operating Current (Typ.)		----	150mA
Operating Voltage		----	6.5V
Recommended Operating Temperature		25°C	
Package Style		TO18	

PIN Bottom View:



PIN Bottom View:



1	LD(+)
2	GND
3	LD(-)

Electrically shorten LD module and store in non-extreme conditions.

Suggest using the constant current power supply.

