
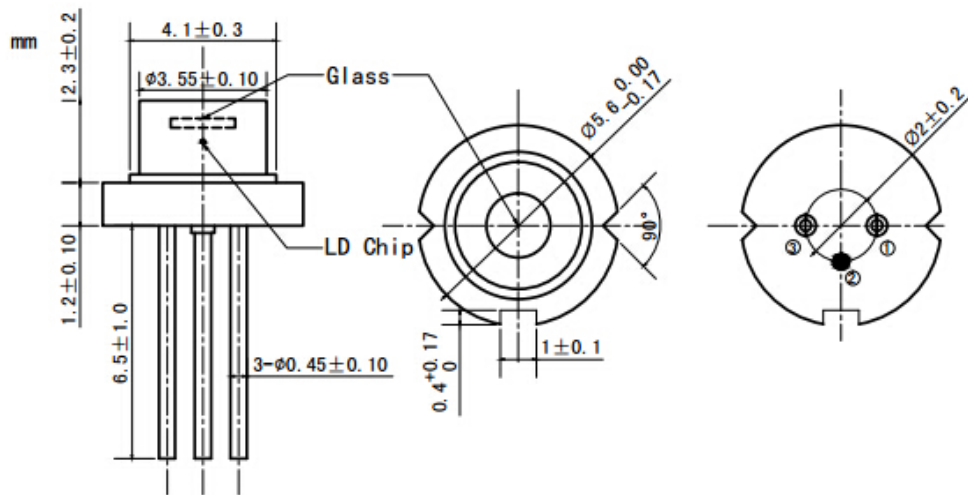


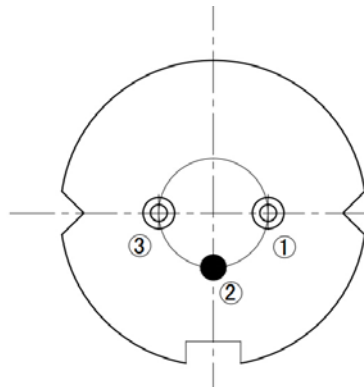
505nm 50mW~60mW Laser Diode| Single mode Green LD
505nm~510nm SM LD| 50mW Power| TO18 Package Green diode laser
RWLD-505-050m-1

505nm Laser Diode		50mW/TO18	
PARAMETER	SYMBOL	VALUE	UNIT
Reverse Voltage	V_r	2.0	V
Operating Temperature	T_{op}	-10~+60	°C
Storage Temperature	T_{stg}	-40~+85	°C
Lead soldering temperature (5 sec.)	T_{is}	260	°C
Features: <ul style="list-style-type: none"> ● 505nm ● 50mW ● Single Mode Beam ● TO18 Package 			
Applications: <ul style="list-style-type: none"> ● Medical Laser Treatment ● Laser Indicator ● Laser Detector 			
Specifications	RWLD-505-050m-1		
	Min	Type	Max
Center Wavelength@25°C	±5nm	505nm	±10nm
Spectral Width (FWHM)	2.0nm		
Output Power	----	50mW	----
Recommended Operating Temperature	25°C		
Beam Divergence (FWHM)	----	$24^\circ \pm \times 9^\circ //$	----
Threshold Current (Typ.)	----	55mA	90mA
Operating Current (Typ.)	----	200mA	240mA
Operating Voltage	----	7.5V	8.0V
Package Style	TO18		

TO18 Package View



PIN Bottom View:



1	LD(+)
2	GND
3	LD(-)

Electrically shorten LD module and store in non-extreme conditions.

Suggest using the constant current power supply.

