
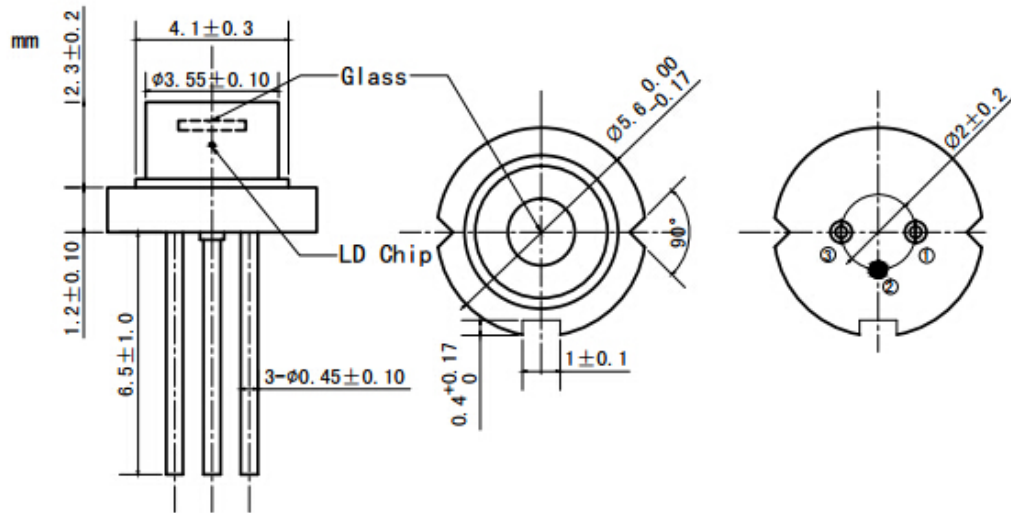


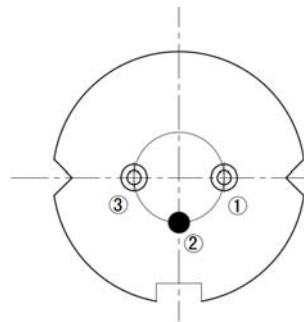
515nm~520nm~530nm 140mW~150mW Laser Diode| Single mode Green LD
520nm SM TO18 LD| 140mW Power| 5.6mm Package Green Diode Laser
RWLD-520-140m-1

520nm Laser Diode		140mW/5.6mm	
PARAMETER	SYMBOL	VALUE	UNIT
Reverse Voltage	V_r	2.0	V
Operating Temperature	T_{op}	-20~+60	°C
Storage Temperature	T_{stg}	-40~+85	°C
Lead soldering temperature (10 sec.)	T_{is}	260	°C
Features: <ul style="list-style-type: none"> ● 520nm ● 140mW ● Single Mode Beam ● TO18 Package 			
Applications: <ul style="list-style-type: none"> ● Medical Laser Treatment ● Laser Indicator ● Laser Detector 			
Specifications		RWLD-520-140m-1	
		Min	Type
Center Wavelength@25°C		510nm	520nm
Spectral Width (FWHM)		2.0nm	
Output Power		----	140mW
Recommended Operating Temperature		25°C	
Beam Divergence (FWHM)		----	$23^{\circ} \pm x 10^{\circ} //$
Threshold Current (Typ.)		----	70mA
Operating Current (Typ.)		----	300mA
Operating Voltage		----	7.0V
Package Style		TO18	

Package View:



PIN Bottom View:



1	LD(+)
2	GND
3	LD(-)

Electrically shorten LD module and store in non-extreme conditions.

Suggest using the constant current power supply.

