
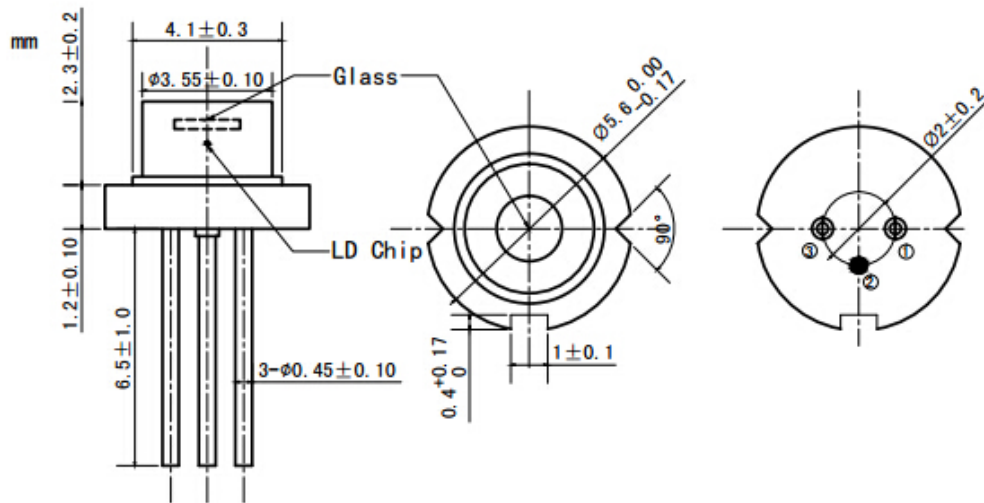


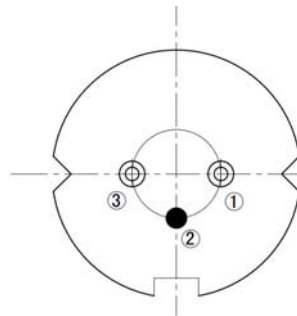
650nm~660nm 180mW Single Mode Laser Diode| SM LD
658nm 5.6mm Package|180mW| SM LD |Red Laser Diode
RWLD-650-180m-1

658nm Laser Diode		180mW/TO18	
PARAMETER	SYMBOL	VALUE	UNIT
Reverse Voltage	V_r	2.0	V
Operating Temperature	T_{op}	-10~+50	°C
Storage Temperature	T_{stg}	-40~+85	°C
Lead soldering temperature (10 sec.)	T_{is}	260	°C
Features: <ul style="list-style-type: none"> ● 658nm ● Single Mode Beam ● TO18 Package 			
Applications: <ul style="list-style-type: none"> ● Medical Laser Treatment ● Laser Indicator ● Others 			
Specifications	RWLD-650-180m-1		
	Min	Type	Max
Center Wavelength@25°C	±5nm	658nm	±10nm
Spectral Width (FWHM)	2.0nm		
Output Power (CW)	----	180mW	----
Emitter	Single		
Beam Divergence (FWHM)	----	$14^\circ \pm \times 10^\circ //$	$16^\circ \pm \times 13^\circ //$
Recommended Operating Temperature	25°C		
Slope Efficiency	----	1.0mW/mA	----
Threshold Current (Typ.)	----	50mA	80mA
Operating Current (Typ.)	----	240mA	260mA
Operating Voltage	----	2.8V	3.5V
Package Style	TO18 (5.6mm)		

TO18(5.6mm) Package View



PIN Bottom View:



1	LD(+)
2	LD(-)
3	NC

Electrically shorten LD module and store in non-extreme conditions.

Suggest using the constant current power supply.

