
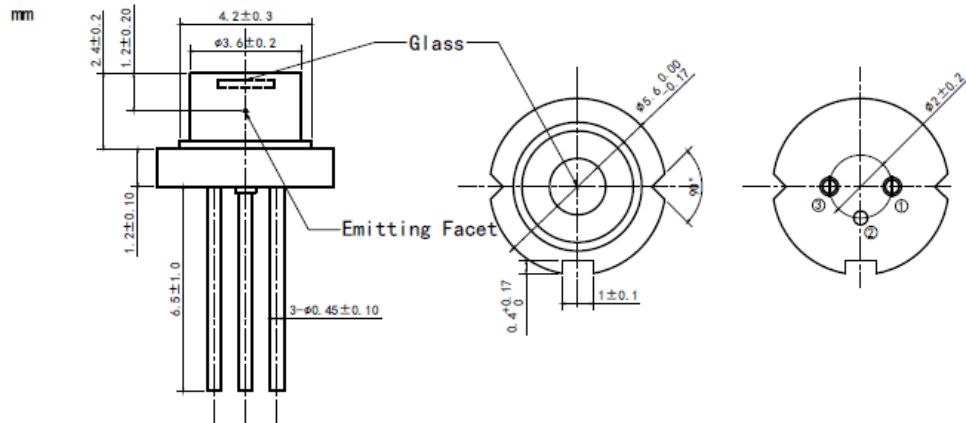


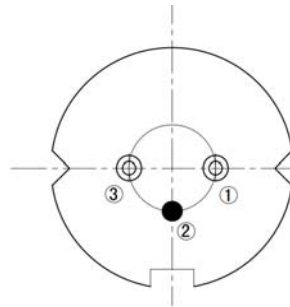
820nm~830nm~840nm 150mW Single Mode LD| SM Laser Diode|5.6mm TO18 Package
830nm SM Laser Diodes |Single Mode LD|150mW Power
RWLD-830-150m-1-PD

830nm Laser Diode		150mW/TO18	
Reverse Voltage	V_r	2.0	V
Operating Temperature	T_{op}	-20 ~ +50	°C
Storage Temperature	T_{stg}	-40 ~ +80	°C
Lead soldering temperature (10 sec.)	T_{is}	260	°C
Features: <ul style="list-style-type: none"> ● 830nm ● Single Mode ● Built-in PD ● TO18 Package 			
Applications: <ul style="list-style-type: none"> ● Medical Laser Treatment ● Laser Indicator ● Laser Detector 			
Specifications		RWLD-830-150m-1-PD	
		Min	Type
Center Wavelength@25°C		830nm±15nm	
Spectral Width (FWHM)		3.0nm	
Output Power		150mW	
Recommended Operating Temperature		25°C	
Beam Divergence (FWHM)		28° ± x8° //	
Monitor Current		0.6mA	
PD MAX Reverse Voltage		25V	
Slope Efficiency	----	0.9mW/mA	----
Threshold Current (Typ.)	----	35mA	60mA
Operating Current (Typ.)	----	200mA	230mA
Operating Voltage		2.3V	2.8V
Package Style		TO18	

TO18(5.6mm) Package View



PIN Bottom View:



1	LD(-)
2	LD(+)&PD(-)
3	PD(+)

Electrically shorten LD module and store in non-extreme conditions.
Suggest using the constant current power supply.

