


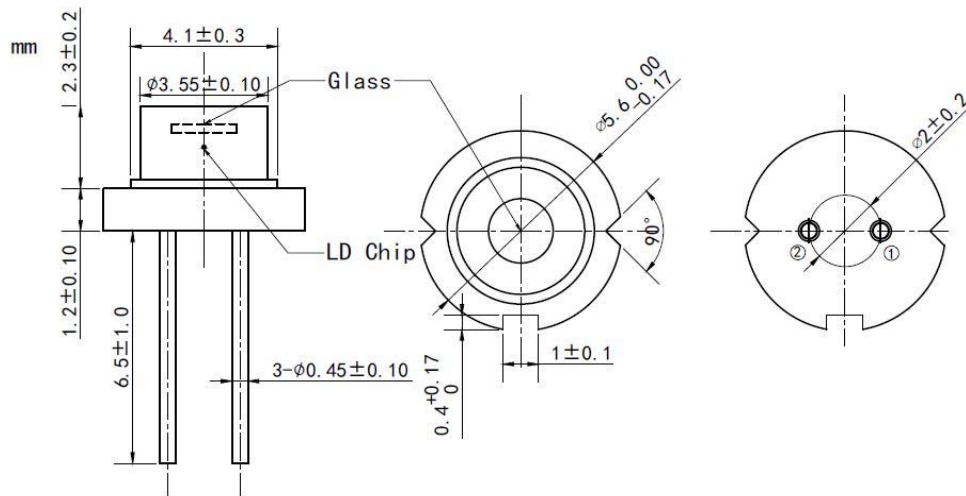
395nm 300mW Multi-mode Laser Diode | 0.3W High Power LD

390nm~395nm LD| 300mW Output Power|5.6 mm Package | Violet LD | Multimode Laser Diode

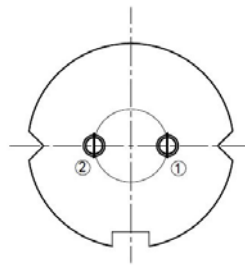
RWSLD-395-300m-1

395nm Laser Diode		300mW/TO18	
PARAMETER	SYMBOL	VALUE	UNIT
Reverse Voltage	V_r	2.0	V
Operating Temperature	T_{op}	0~ +30	°C
Storage Temperature	T_{stg}	-40~ +85	°C
Lead soldering temperature (10 sec.)	T_{is}	260	°C
Features: <ul style="list-style-type: none"> ● 395nm ● High Output Power ● 5.6mm Package ● Multimode Laser Diode 			
Applications: <ul style="list-style-type: none"> ● Medical Laser Treatment ● Printing ● Others 			
Specifications		RWSLD-395-300m-1	
		Min	Type
Center Wavelength@25°C		395nm±10nm	
Spectral Width (FWHM)		2.0nm	
Output Power (CW)		----	300mW
Beam Divergence (FWHM)		----	45° _⊥ x 15° _{//}
Threshold Current (Typ.)		----	130mA
Operating Current (Typ.)		----	330mA
Operating Voltage		----	4.8V
Slope Efficiency		----	1.6mW/mA
Recommended Operating Temperature		25 °C	
Package Style		5.6mm	

TO18 (5.6mm) Package View



PIN Bottom View



1	LD(+)
2	LD(-)

Electrically shorten LD module and store in non-extreme conditions.
Suggest using the constant current power supply.

