


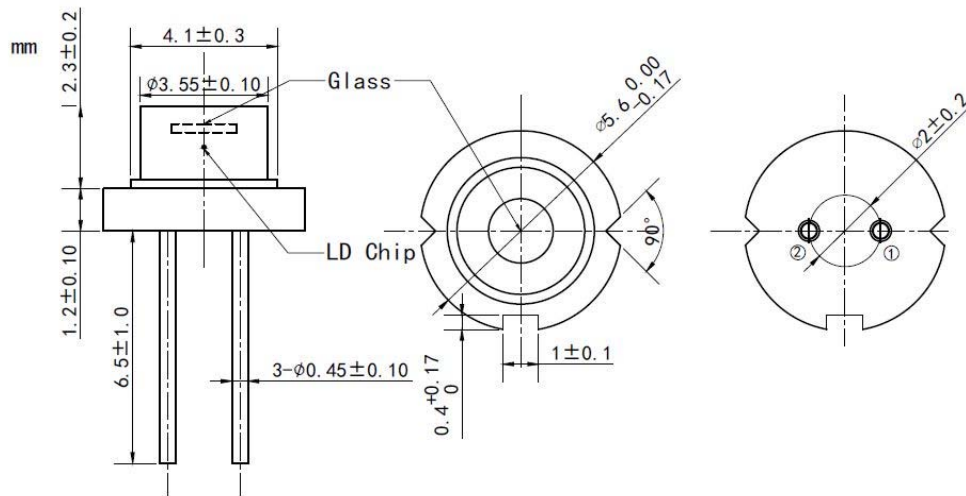
**405nm 1W Multi-mode Laser Diode| High Power Violet LD**

**405nm~410nm LD| 1W Output Power|5.6 mm Package | Violet LD | Multimode Laser Diode**

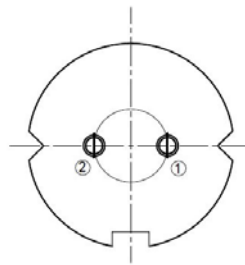
**RWSLD-405-001-1**

405nm Laser Diode		1W/TO18	
PARAMETER	SYMBOL	VALUE	UNIT
Reverse Voltage	$V_r$	2.0	V
Operating Temperature	$T_{op}$	0~ +30	°C
Storage Temperature	$T_{stg}$	-40~ +85	°C
Lead soldering temperature (10 sec.)	$T_{is}$	260	°C
<b>Features:</b> <ul style="list-style-type: none"> <li>• 405nm</li> <li>• High Output Power</li> <li>• 5.6mm Package</li> <li>• Multimode Laser Diode</li> </ul>			
<b>Applications:</b> <ul style="list-style-type: none"> <li>• Medical Laser Treatment</li> <li>• Printing</li> <li>• Others</li> </ul>			
<b>Specifications</b>		<b>RWSLD-405-001-1</b>	
		<b>Min</b>	<b>Type</b>
		<b>Max</b>	
Center Wavelength@25°C		$\pm 5\text{nm}$	405nm
			$\pm 10\text{nm}$
Spectral Width (FWHM)		2.0nm	
Output Power (CW)		----	1W
		----	----
Beam Divergence (FWHM)		----	$40^\circ_{\perp} \times 15^\circ_{//}$
		----	$50^\circ_{\perp} \times 26^\circ_{//}$
Threshold Current (Typ.)		----	120mA
		----	250mA
Operating Current (Typ.)		----	650mA
		----	750mA
Operating Voltage		----	5.0V
		----	6.0V
Slope Efficiency		----	1.9mW/mA
		----	----
Recommended Operating Temperature		$\leq 20^\circ\text{C}$	
Package Style		5.6mm	

**TO18 (5.6mm) Package View**



**PIN Bottom View**



<b>1</b>	<b>LD(+)</b>
<b>2</b>	<b>LD(-)</b>

Electrically shorten LD module and store in non-extreme conditions.  
Suggest using the constant current power supply.

