


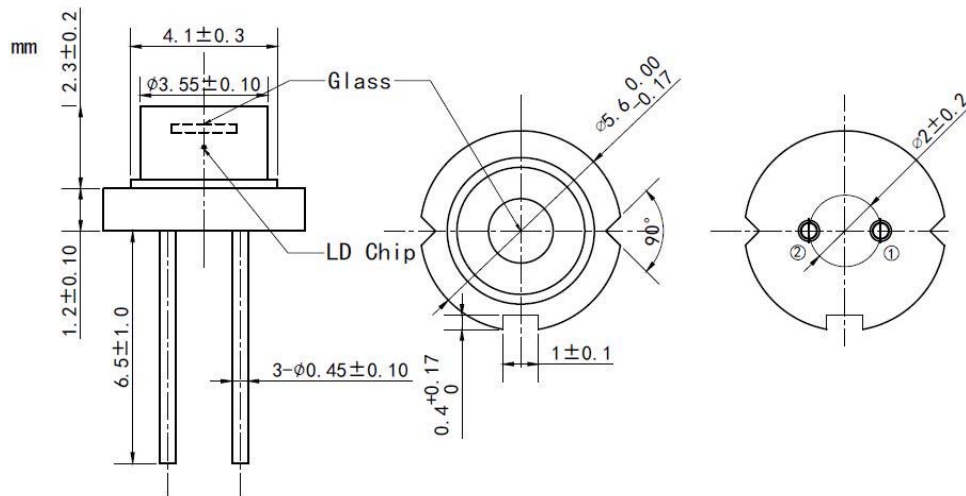
405nm 600mW Multi-mode Laser Diode| High Power Violet LD

405nm~410nm LD| 600mW Output Power|5.6 mm Package | Violet LD | Multimode Laser Diode

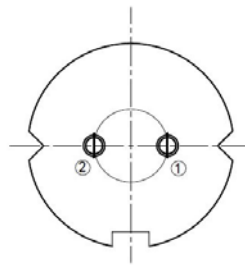
RWSLD-405-600m-1

405nm Laser Diode		600mW/TO18		
PARAMETER	SYMBOL	VALUE	UNIT	
Reverse Voltage	V_r	2.0	V	
Operating Temperature	T_{op}	0 ~ +40	°C	
Storage Temperature	T_{stg}	-40 ~ +85	°C	
Lead soldering temperature (10 sec.)	T_{is}	260	°C	
Features: <ul style="list-style-type: none"> 405nm High Output Power 5.6mm Package Multimode Laser Diode 				
Applications: <ul style="list-style-type: none"> Medical Laser Treatment Printing Others 				
Specifications		RWSLD-405-600m-1		
		Min	Type	Max
Center Wavelength@25°C		±5nm	405nm	±10nm
Spectral Width (FWHM)		2.0nm		
Output Power (CW)		----	600mW	----
Beam Divergence (FWHM)		----	38° _⊥ x 15° _{//}	46° _⊥ x 24° _{//}
Threshold Current (Typ.)		----	120mA	200mA
Operating Current (Typ.)		----	440mA	480mA
Operating Voltage		----	4.5V	5.5V
Slope Efficiency		----	1.9mW/mA	----
Recommended Operating Temperature		25 °C		
Package Style		5.6mm		

TO18 (5.6mm) Package View



PIN Bottom View



1	LD(+)
2	LD(-)

Electrically shorten LD module and store in non-extreme conditions.
Suggest using the constant current power supply.

