
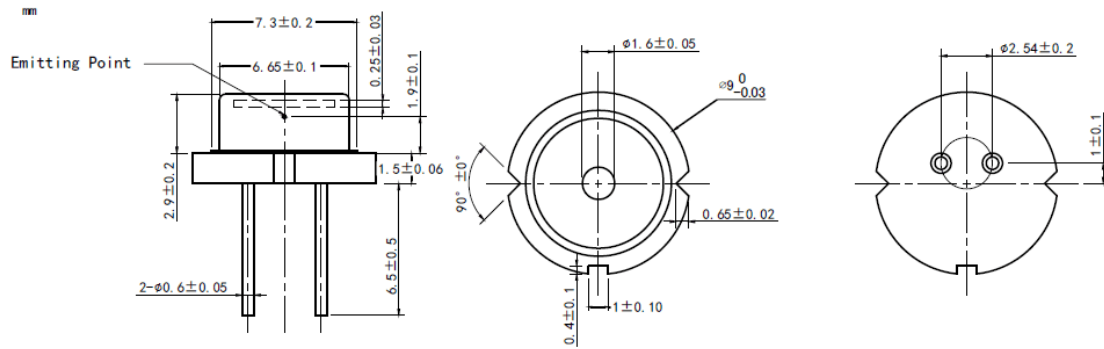


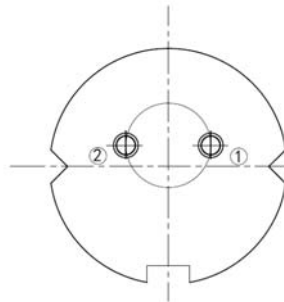
450nm~455nm 5W TO5 Laser Diode with Square Beam | TO5 9mm Package |Blue Laser Diode
455nm LD| 5W Output Power | 9mm TO5 Package | With FAC Lens
RWSLD-455-005-2-FAC

455nm Laser Diode		5W/TO5		
PARAMETER	SYMBOL	VALUE		UNIT
Reverse Voltage	V_r	2.0		V
Operating Temperature	T_{op}	0~+60		°C
Storage Temperature	T_{stg}	-40~+85		°C
Lead soldering temperature (10 sec.)	T_{is}	260		°C
Features: <ul style="list-style-type: none"> 🔸 455nm 🔸 5W Output Power 🔸 TO5 Package 🔸 With FAC Lens 				
Applications: <ul style="list-style-type: none"> 🔸 Medical Laser Treatment 🔸 Laser Show 🔸 Others 				
Specifications		RWSLD-455-005-2-FAC		
		Min	Type	Max
Center Wavelength@25°C		455nm±10nm		
Spectral Width (FWHM)		3.0nm		
Output Power		4.5W	5W	----
Recommended Operating Temperature		25°C		
Beam	Beam Divergence (FWHM)	----	$10^\circ \pm x 10^\circ //$	$13^\circ \pm x 13^\circ //$
	Beam Shape	Square Beam (1:1)		
Linear Shape Beam($2^\circ \pm x 10^\circ //$,1:5)		Optional		
Slope Efficiency		----	1.7W/A	----
Threshold Current (Typ.)		----	0.3A	0.6A
Operating Current (Typ.)		----	3.2A	3.5A
Operating Voltage		----	4.5V	5.5V
Package Style		TO5 (9mm)		

Package View



PIN Bottom View:



1	LD(+)
3	LD(-)

Electrically shorten LD module and store in non-extreme conditions.
Suggest using the constant current power supply.

