
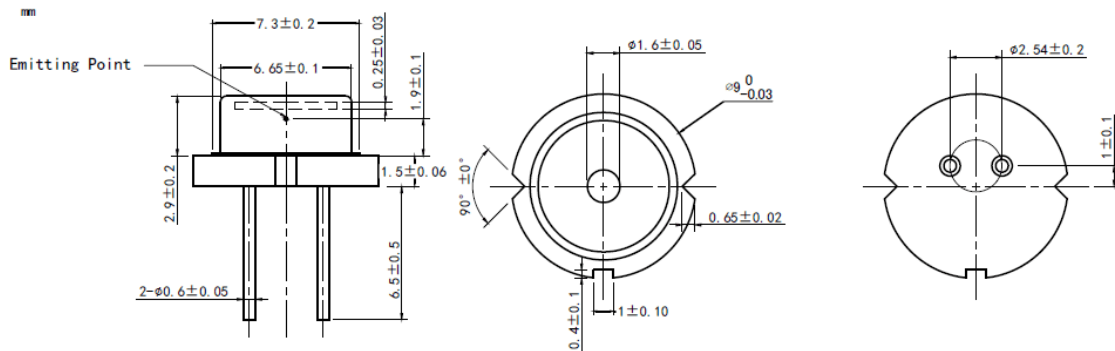


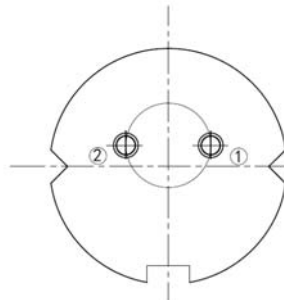
450nm~455nm 5W TO5 Laser Diode | High Power LD With 9mm Package | Blue Laser Diode
455nm LD | 5W Output Power | 9mm TO5 Package | With Flat Window
RWSLD-455-005-2

455nm Laser Diode		5W/TO5	
PARAMETER	SYMBOL	VALUE	UNIT
Reverse Voltage	V_r	2.0	V
Operating Temperature	T_{op}	0 ~ +60	°C
Storage Temperature	T_{stg}	-40 ~ +85	°C
Lead soldering temperature (10 sec.)	T_{is}	260	°C
Features: <ul style="list-style-type: none"> 🔸 455nm 🔸 5W Output Power 🔸 TO5 Package 🔸 Long Lifetime 			
Applications: <ul style="list-style-type: none"> 🔸 Medical Laser Treatment 🔸 Laser Indicator 🔸 Others 			
Specifications		RWSLD-455-005-2	
		Min	Type
Center Wavelength@25°C		455nm±10nm	
Spectral Width (FWHM)		3.0nm	
Output Power		----	5W
Recommended Operating Temperature		25°C	
Beam Divergence		----	45° _⊥ x 15° _{//}
Monitor Current		----	
Slope Efficiency		----	1.7W/A
Threshold Current (Typ.)		----	0.3A
Operating Current (Typ.)		----	3.2A
Operating Voltage		----	4.5V
Package Style		TO5 (9mm)	

Package View



PIN Bottom View:



1	LD(+)
3	LD(-)

Electrically shorten LD module and store in non-extreme conditions.
Suggest using the constant current power supply.

