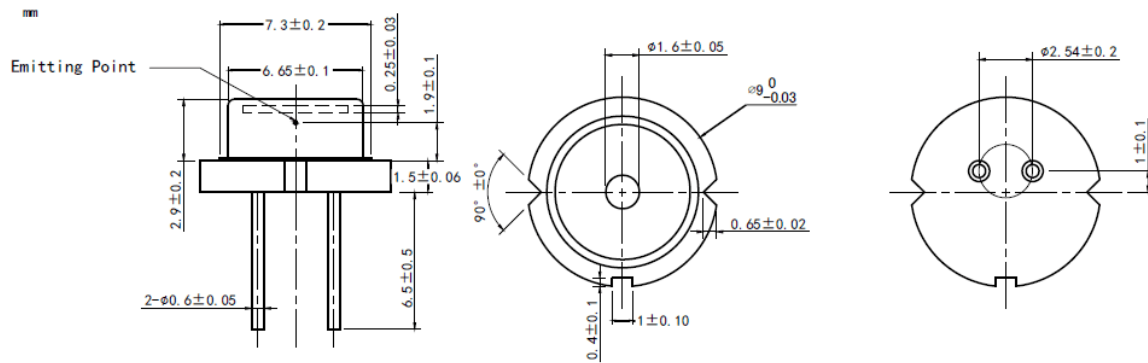


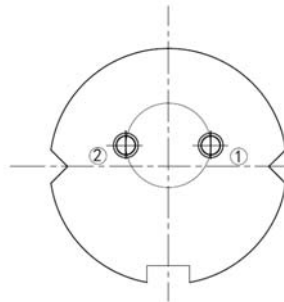
515nm~520nm 0.6W Laser Diode | High Power LD 9mm Package | Green Laser Diode
 520nm LD | 600mW Power | 9mm TO5 Package | Used for Medical Cure, Laser Show
 RWSLD-520-600m-2

520nm Laser Diode		0.6W/TO5	
PARAMETER	SYMBOL	VALUE	UNIT
Forward Current	I _f	2.0	A
Operating Temperature	T _{op}	0~ +60	°C
Storage Temperature	T _{stg}	-40~ +85	°C
Lead soldering temperature (10 sec.)	T _{is}	260	°C
Features: <ul style="list-style-type: none"> 🔸 520nm 🔸 0.6W Output Power 🔸 TO5 (9mm) Package 🔸 Long lifetime 			
Applications: <ul style="list-style-type: none"> 🔸 Medical Laser Treatment 🔸 Laser Show 🔸 Others 			
Specifications	RWSLD-520-600m-2		
	Min	Type	Max
Center Wavelength@25°C	510nm	520nm	535nm
Spectral Width (FWHM)	3.0nm		
Output Power	-----	600mW	-----
Recommended Operating Temperature	25°C		
Beam Divergence	-----	45°± x 10°//	-----
Monitor Current	----		
Slope Efficiency	----	0.7W/A	----
Threshold Current (Typ.)	----	0.2A	0.6A
Operating Current (Typ.)	----	1.1A	1.3A
Operating Voltage	----	6.0V	7.0V
Package Style	TO5		

Package View



PIN Bottom View:



1	LD(+)
2	LD(-)

Electrically shorten LD module and store in non-extreme conditions.
Suggest using the constant current power supply.

