
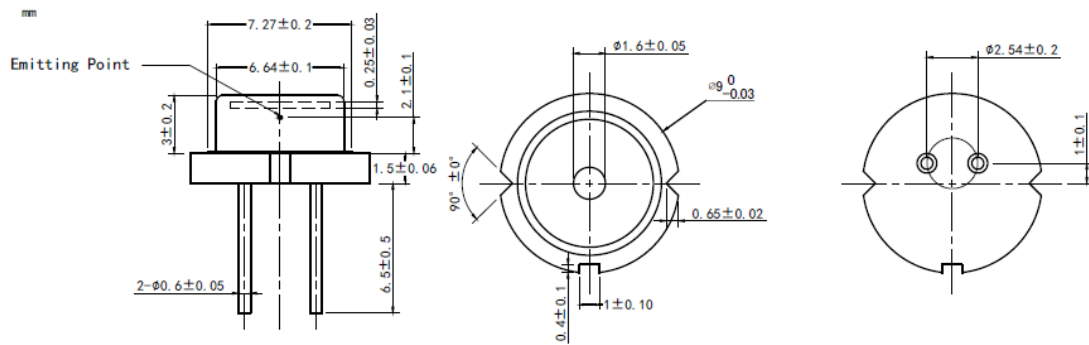


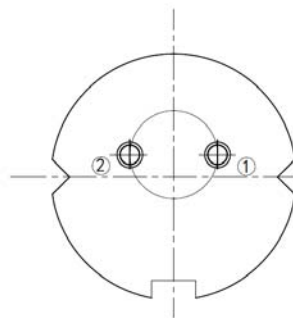
635nm~638nm 1W Laser Diode 9mm TO5 Package | High power Red Laser Diode | Square Beam Optional
635nm TO5 Package |1W | Red LD | Without PD | With FAC Lens | Line Beam Optional
RWSLD-635-001-2-FAC

635nm Laser Diode		1W/TO5	
PARAMETER	SYMBOL	VALUE	UNIT
Reverse Voltage	V_r	2.0	V
Operating Temperature	T_{op}	-10~+40	°C
Storage Temperature	T_{stg}	-40 ~+85	°C
Lead soldering temperature (10 sec.)	T_{is}	260	°C
Features: <ul style="list-style-type: none"> ● 638nm ● 1W ● TO5 Package ● With FAC Lens ● Square Beam 			
Applications: <ul style="list-style-type: none"> ● Medical Laser Treatment ● Laser Show ● Others 			
Specifications		RWSLD-635-001-2-FAC	
		Min	Type
		Max	
Center Wavelength@25°C		630nm	638nm
		645nm	
Spectral Width (FWHM)		----	2.0nm
		----	----
Output Power		----	1.0W
		----	----
Recommended Operating Temperature		25°C	
Beam	Beam Divergence (FWHM)	$10^\circ \perp \times 10^\circ //$	
	Beam Shape	Square Beam (1:1)	
Line Shape Beam($2^\circ \perp \times 8^\circ //$,1:4)		Optional	
Slope Efficiency		----	1.0W/A
		----	----
Threshold Current (Typ.)		----	0.3A
		----	0.5A
Operating Current (Typ.)		----	1.4A
		----	1.6A
Operating Voltage		----	2.4V
		----	2.8V
Package Style		TO5	

T05(9mm) Package View:



PIN Bottom View:



1	LD(+)
2	LD(-)

Electrically shorten LD module and store in non-extreme conditions.

Suggest using the constant current power supply.

