


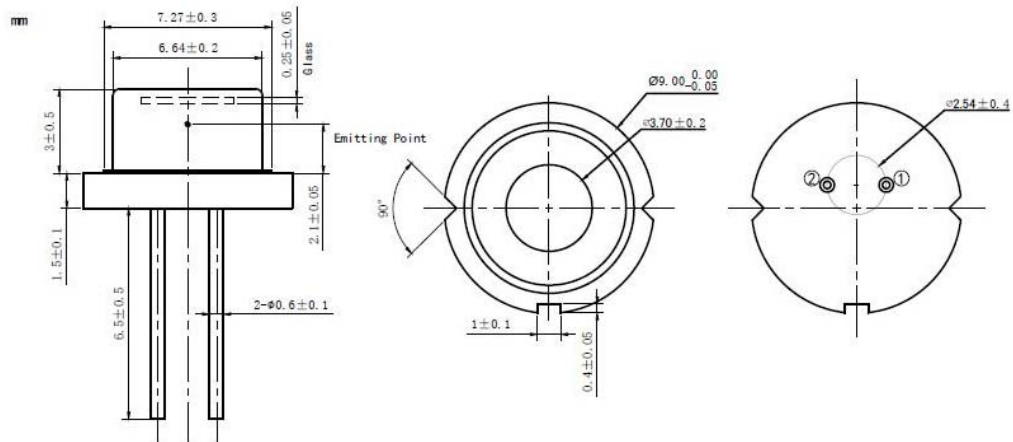
635nm~638nm 1W Laser Diode 9mm TO5 Package | High power Red Laser Diode | Square Beam Optional

635nm TO5 Package |1W | Red LD | Without PD | With FAC Lens Optional

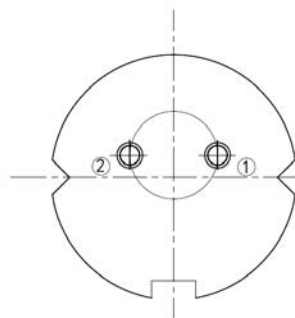
RWSLD-635-001-2

635nm Laser Diode		1W/TO5		
PARAMETER	SYMBOL	VALUE	UNIT	
Reverse Voltage	V_r	2.0	V	
Operating Temperature	T_{op}	-10~+40	°C	
Storage Temperature	T_{stg}	-40 ~ +85	°C	
Lead soldering temperature (10 sec.)	T_{is}	260	°C	
Features: <ul style="list-style-type: none"> ● 638nm ● 1W ● TO5 Package ● With FAC Lens Optional 				
Applications: <ul style="list-style-type: none"> ● Medical Laser Treatment ● Laser Show ● Others 				
Specifications		RWSLD-635-001-2		
		Min	Type	Max
Center Wavelength@25°C		630nm	638nm	645nm
Spectral Width (FWHM)		----	2.0nm	----
Output Power		----	1.0W	----
Recommended Operating Temperature		25°C		
Beam Divergence (FWHM)		$23^\circ \pm x 2^\circ //$	$35^\circ \pm x 10^\circ //$	$45^\circ \pm x 20^\circ //$
Slope Efficiency		----	1.0W/A	----
Threshold Current (Typ.)		----	0.3A	0.5A
Operating Current (Typ.)		----	1.4A	1.6A
Operating Voltage		----	2.4V	2.8V
Package Style		TO5		

TO5(9mm) Package View:



PIN Bottom View:



1	LD(+)
2	LD(-)

Electrically shorten LD module and store in non-extreme conditions.
Suggest using the constant current power supply.

