
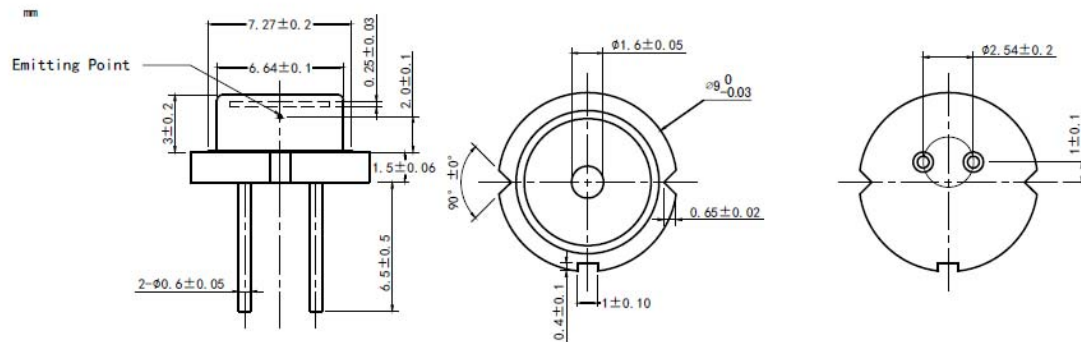


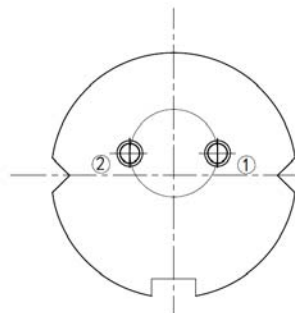
**635nm~638nm 2W Laser Diode 9mm TO5 Package | High Power Red Laser Diode | Square Beam Optional**  
**635nm TO5 Package |2W | Red LD | Without PD | With FAC Lens | Line Beam Optional**  
**RWSLD-635-002-2-FAC**

635nm Laser Diode		2W/TO5	
PARAMETER	SYMBOL	VALUE	UNIT
Reverse Voltage	$V_r$	2.0	V
Operating Temperature	$T_{op}$	-10~+40	°C
Storage Temperature	$T_{stg}$	-40 ~+85	°C
Lead soldering temperature (10 sec.)	$T_{is}$	260	°C
<b>Features:</b> <ul style="list-style-type: none"> <li>● 638nm</li> <li>● 2W</li> <li>● TO5 Package</li> <li>● With FAC Lens</li> <li>● Square Beam</li> </ul>			
<b>Applications:</b> <ul style="list-style-type: none"> <li>● Medical Laser Treatment</li> <li>● Laser Show</li> <li>● Others</li> </ul>			
<b>Specifications</b>		<b>RWSLD-635-002-2-FAC</b>	
		Min	Type
		Max	
Center Wavelength@25°C		630nm	638nm
		645nm	
Spectral Width (FWHM)		----	2.0nm
		----	----
Output Power		----	2.0W
		----	----
Recommended Operating Temperature		25°C	
Beam	Beam Divergence (FWHM)	$10^\circ \perp \times 10^\circ //$	
	Beam Shape	Square Beam (1:1)	
Line Shape Beam( $2^\circ \perp \times 8^\circ //$ ,1:4)		Optional	
Slope Efficiency		----	1.2W/A
		----	----
Threshold Current (Typ.)		----	0.5A
		----	---
Operating Current (Typ.)		----	2.5A
		----	---
Operating Voltage		----	2.5V
		----	---
Package Style		TO5	

**TO5(9mm) Package View:**



**PIN Bottom View:**



<b>1</b>	<b>LD(+)</b>
<b>2</b>	<b>LD(-)</b>

Electrically shorten LD module and store in non-extreme conditions.  
Suggest using the constant current power supply.

