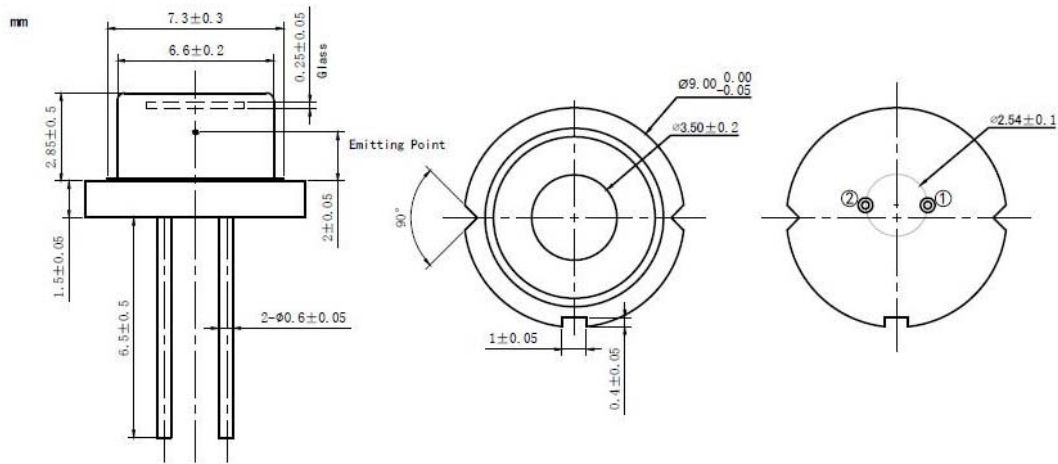


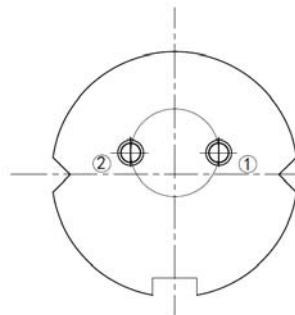
635nm~638nm 2W Laser Diode 9mm TO5 Package | High power Red Laser Diode | Square Beam Optional
635nm TO5 Package | 2W | Red LD | Without PD | With FAC Lens Optional
RWSLD-635-002-2

635nm Laser Diode		2W/TO5	
PARAMETER	SYMBOL	VALUE	UNIT
Reverse Voltage	V_r	2.0	V
Operating Temperature	T_{op}	0 ~ +50	°C
Storage Temperature	T_{stg}	-40 ~ +85	°C
Lead soldering temperature (10 sec.)	T_{is}	260	°C
Features: <ul style="list-style-type: none"> 🔸 638nm 🔸 2W Output Power 🔸 TO5 Package 🔸 With FAC Lens Optional 			
Applications: <ul style="list-style-type: none"> 🔸 Medical Laser Treatment 🔸 Laser Show 🔸 Others 			
Specifications	RWSLD-635-002-2		
	Min	Type	Max
Center Wavelength@25°C	630nm	638nm	645nm
Spectral Width (FWHM)	----	2.0nm	----
Output Power	----	2W	----
Recommended Operating Temperature	25°C		
Beam Divergence (FWHM)	----	$65^\circ \perp \times 10^\circ //$	----
Slope Efficiency	----	1.2W/A	----
Threshold Current (Typ.)	----	0.5A	----
Operating Current (Typ.)	----	2.5A	----
Operating Voltage	----	2.5V	----
Package Style	TO5		

T05(9mm) Package View:



PIN Bottom View:



1	LD(+)
2	LD(-)

Electrically shorten LD module and store in non-extreme conditions.

Suggest using the constant current power supply.

