
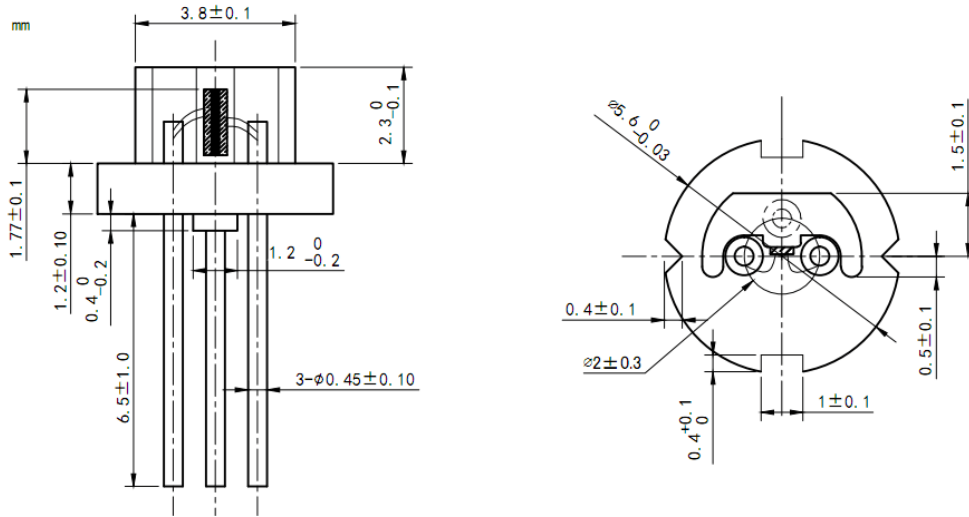


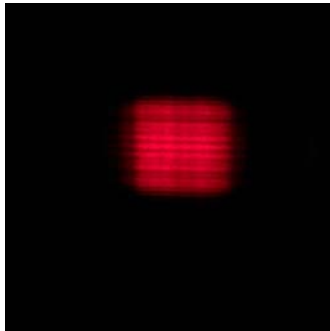
635nm 500mW Laser Diode with Square Beam|With FAC Lens |5.6mm Package | Red Laser  
635nm~638nm 5.6mm Package | 500mW|High Power Red LD | Square Spot for Laser Show  
RWSLD-635-500m-1-FAC

635nm Laser Diode			
PARAMETER	SYMBOL	VALUE	UNIT
Reverse Voltage	$V_r$	2.0	V
Operating Temperature	$T_{op}$	-5 ~ +40	°C
Storage Temperature	$T_{stg}$	-40 ~ +85	°C
Lead soldering temperature (10 sec.)	$T_{is}$	260	°C
<b>Features:</b> <ul style="list-style-type: none"> <li>🔸 638nm</li> <li>🔸 Square Beam</li> <li>🔸 500mW Output Power</li> <li>🔸 CW/Pulse Mode</li> </ul>			
<b>Applications:</b> <ul style="list-style-type: none"> <li>🔸 Medical Laser Treatment</li> <li>🔸 Laser Indicator</li> </ul>			
<b>Specifications</b>		<b>RWSLD-635-500m-1-FAC</b>	
		Min	Type
Center Wavelength@25°C		630nm	638nm
Spectral Width (FWHM)		----	2.0nm
Output Power(CW Mode)		----	500mW
Output Power (Pulsed Mode)		----	1W
		Pulsed Duty=<30%, Frequency>=50HZ	
Recommended Operating Temperature		25°C	
Beam	Beam Divergence (FWHM)	$8^\circ \perp \times 8^\circ //$	
	Beam Shape	Square Beam (1:1)	
Line Shape Beam( $2^\circ \perp \times 8^\circ //$ ,1:4)		Optional	
Emitter Size		50um * 1um	
Slope Efficiency		0.8mW/mA	1.0mW/mA
Threshold Current (Typ.)		----	175mA
Operating Current (Typ.)		----	700mA
Operating Voltage		2.2V	2.4V
Package Style		TO18 (5.6mm)	

Package View:



Beam Shape:

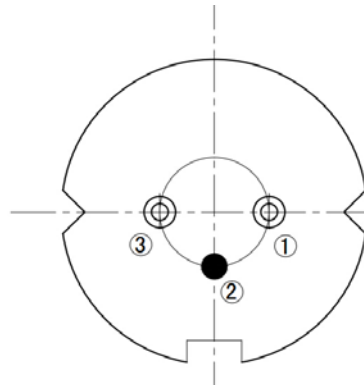


1:1 Square Beam



1:4 Line Beam

**PIN Bottom View:**



<b>1</b>	<b>LD(+)</b>
<b>2</b>	<b>GND</b>
<b>3</b>	<b>LD(-)</b>

**Electrically shorten LD module and store in non-extreme conditions.  
Suggest using the constant current power supply.**

