
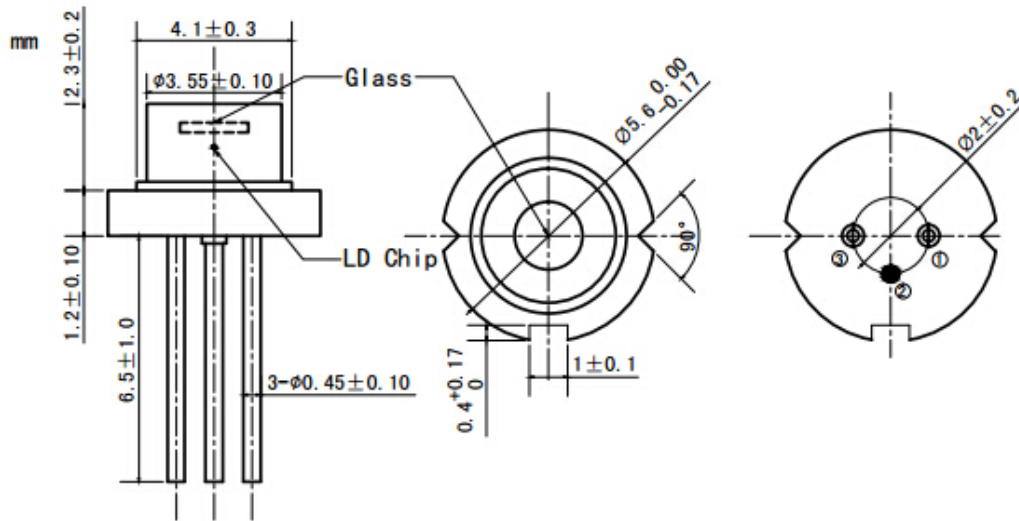


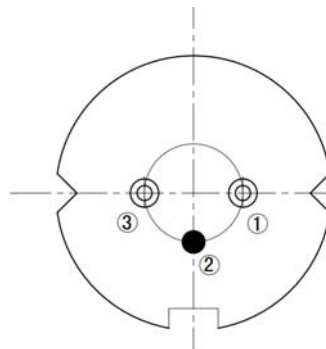
808nm 300mW Laser Diodes with Photodiode | Infrared Laser Diode
808nm~810nm LD 300mW with TO18 Package | Built-in PD
RWSLD-808-300m-1-PD

808nm Laser Diode		300mW/TO18	
Reverse Voltage	V_r	2.0	V
Operating Temperature	T_{op}	-10~+50	°C
Storage Temperature	T_{stg}	-40~+80	°C
Lead soldering temperature (10 sec.)	T_{is}	260	°C
Features: <ul style="list-style-type: none"> ● 808nm ● CW ● TO18 Package ● Built-in Photodiodes 			
Applications: <ul style="list-style-type: none"> ● Medical Laser Treatment ● Laser Indicator ● Laser Detector 			
Specifications		RWSLD-808-300m-1-PD	
		Min	Type
Center Wavelength@25°C		±3nm	808nm
Spectral Width (FWHM)		----	2.5nm
Output Power		----	300mW
Recommended Work Temperature		25°C	
Beam Divergence (FWHM)		----	36°± x 12°//
Slope Efficiency		----	1.0mW/mA
Threshold Current (Typ.)		----	50mA
Operating Current (Typ.)		----	350mA
Operating Voltage		----	1.9V
Package Style		TO18	

TO18(5.6mm) Package View



PIN Bottom View:



1	LD(-)
2	LD(+) & PD(-)
3	PD(+)

Electrically shorten LD module and store in non-extreme conditions.
Suggest using the constant current power supply.

