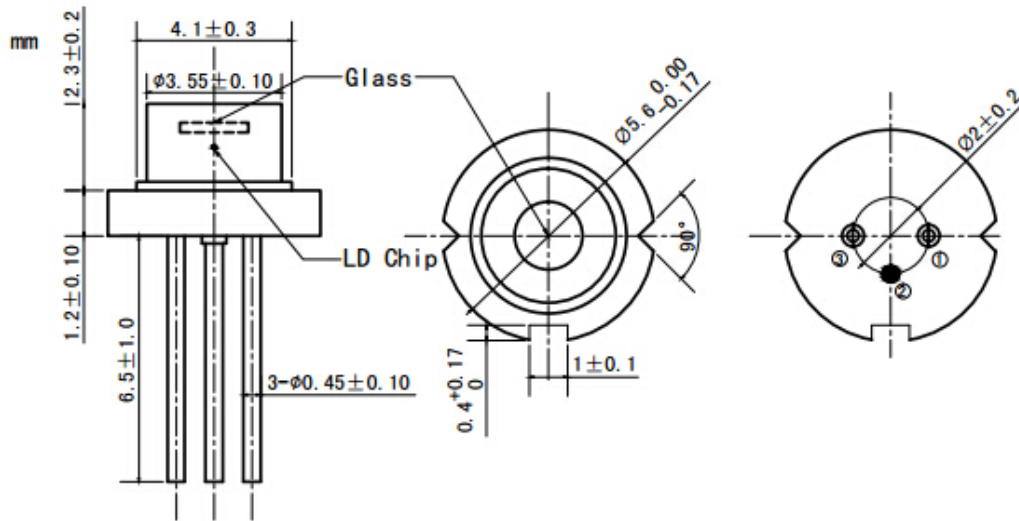


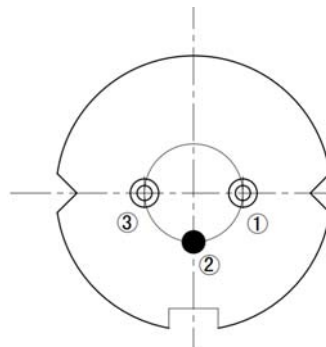
**808nm 500mW Laser Diodes with 5.6mm Package | Infrared Laser Diode**  
**808nm~810nm LD 500mW with TO18 Package | Built-in PD**  
**RWSLD-808-500m-1-PD**

808nm Laser Diode		500mW/TO18		en.wavespectrum-laser.com.cn	
Reverse Voltage	$V_r$	2.0		V	
Operating Temperature	$T_{op}$	-20~+60		°C	
Storage Temperature	$T_{stg}$	-40~+80		°C	
Lead soldering temperature (10 sec.)	$T_{is}$	260		°C	
<b>Features:</b> <ul style="list-style-type: none"> <li>● 808nm</li> <li>● CW</li> <li>● TO18 Package</li> <li>● Built-in PD</li> </ul>					
<b>Applications:</b> <ul style="list-style-type: none"> <li>● Medical Laser Treatment</li> <li>● Night Vision</li> <li>● Others</li> </ul>					
<b>Specifications</b>		<b>RWSLD-808-500m-1-PD</b>			
		Min	Type	Max	
Center Wavelength@25°C		808nm±10nm			
Spectral Width (FWHM)		----	2.5nm	----	
Output Power		----	500mW	----	
Recommended Work Temperature		25°C			
Beam Divergence (FWHM)		----	35°± x 10°//	----	
Slope Efficiency		----	1.1mW/mA	----	
Threshold Current (Typ.)		----	70mA	100mA	
Operating Current (Typ.)		----	550mA	600mA	
Operating Voltage		----	2.0V	2.4V	
Package Style		TO18			

**TO18(5.6mm) Package View**



**PIN Bottom View:**



1	LD(-)
2	LD(+) & PD(+)
3	PD(+)

Electrically shorten LD module and store in non-extreme conditions.  
Suggest using the constant current power supply.

