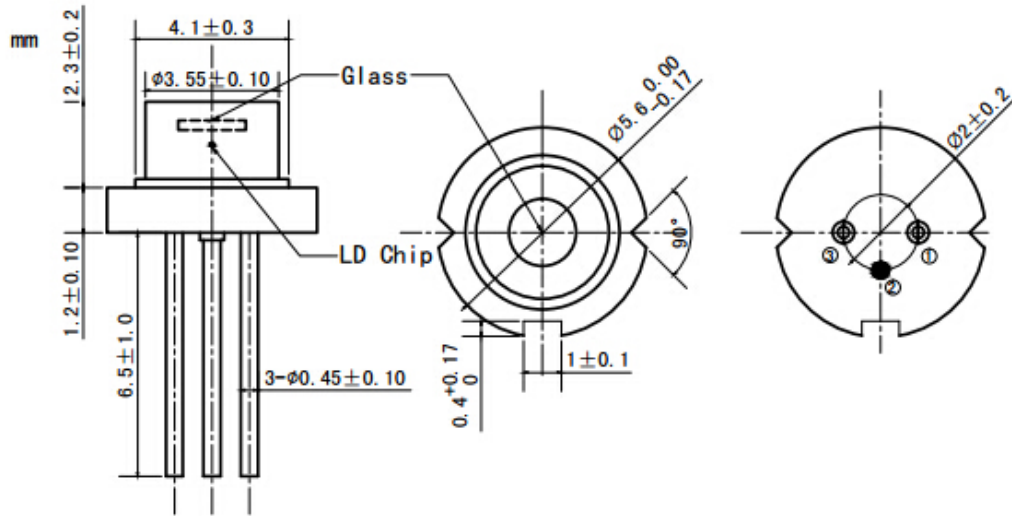


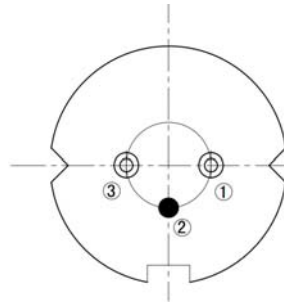
850nm 500mW High Power Laser Diode LD
850nm 0.5W IR Laser Diode | TO18 Package| Multi-mode Laser Diode
RWSLD-850-500m-1

850nm Laser Diode 500mW/TO18			
Reverse Voltage	V_r	2	V
Operating Temperature	T_{op}	-10~+50	°C
Storage Temperature	T_{stg}	-40~+85	°C
Lead soldering temperature (10 sec.)	T_{is}	260	°C
Features: <ul style="list-style-type: none"> 850nm Multi-Mode Laser Diode TO18 Package 			
Applications: <ul style="list-style-type: none"> Medical Laser Treatment Laser Indicator Others 			
Specifications	RWSLD-850-500m-1		
	Min	Type	Max
Center Wavelength@25°C	840nm	850nm	860nm
Spectral Width (FWHM)	----	2.0nm	----
Output Power	----	500mW	----
Emitter Size	----	50um*1um	----
Beam Divergence (FWHM)	----	35° _⊥ x 10° _{//}	----
Monitor Current	----	----	----
Slope Efficiency	----	0.7mW/mA	----
Threshold Current (Typ.)	----	240mA	----
Operating Current (Typ.)	----	950mA	----
Operating Voltage	----	2.4V	----
Package Style	TO18		
Recommended Operating Temperature	25°C		

TO18 mm Package View



PIN Bottom View:



1	LD(-)
2	LD(+)
3	LD(-)

Electrically shorten LD module and store in non-extreme conditions.

Suggest using the constant current power supply.

