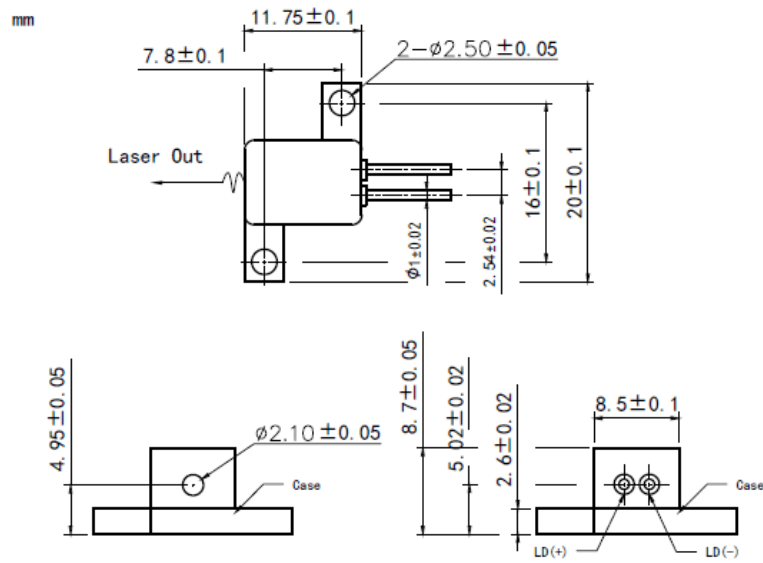


915nm 12W Laser Diode with H-mount Package | Window Package LD | FAC Optional
905nm~915nm High Power 12W Diode Laser | Square Beam Optional | Hermetic Package
RWSLD-915-012-H Wavespectrum laser Group

915nm Laser Diode		12W/H-mount	
Reverse Voltage	V_r	2.0	V
Operating Temperature	T_{op}	+10 ~+30	°C
Storage Temperature	T_{stg}	-20~ +80	°C
Lead soldering temperature (10 sec.)	T_{is}	260	°C
Features: <ul style="list-style-type: none"> 915nm CW H-mount Package (Window Package) FAC Lens Optional 			
Applications: <ul style="list-style-type: none"> Medical Laser Treatment Laser Pumping Other 			
Specifications		RWSLD-915-012-H	
	Min	Type	Max
Center Wavelength@25°C		915nm±10nm	
Spectral Width (FWHM)	----	4.0nm	----
Output Power	----	12W	----
Emitter Area		100x1μm	
Beam Divergence (FWHM)	----	30°± x 8°//	----
Temperature Coefficient of Wavelength	----	0.3nm / °C	----
Slope Efficiency	----	1.05W/A	----
Threshold Current (Typ.)	----	0.5A	1.5A
Operating Current (Typ.)	----	12.0A	12.5A
Operating Voltage	----	1.8V	2.2V
Package Style		H-mount	
Recommended Operating Temperature		25°C	

H-mount Package View



Electrically shorten LD module and store in non-extreme conditions.

Suggest using the constant current power supply.

