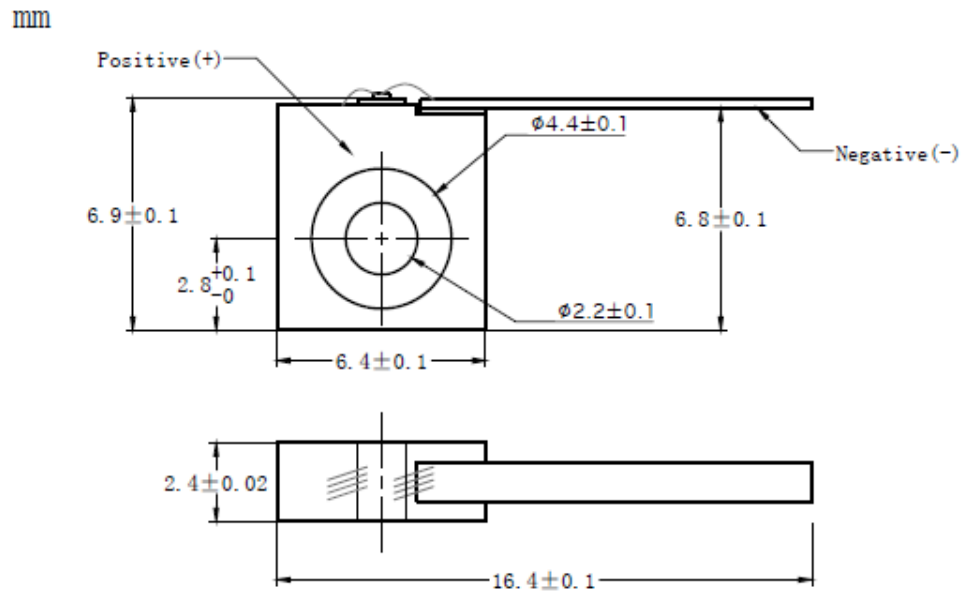


976nm~980nm 3W Laser Diode with C-mount Package | FAC Optional
980nm High Power 3W LD | Square Beam Optional | Medical Cure | Laser Pumping
RWSLD-980-003-C

980nm Laser Diode		3W/C-mount	
Reverse Voltage	V_r	2.0	V
Operating Temperature	T_{op}	+10 ~+30	°C
Storage Temperature	T_{stg}	-20 ~ +80	°C
Lead soldering temperature (10 sec.)	T_{is}	260	°C
Features: <ul style="list-style-type: none"> ● 980nm ● CW ● C-mount Package 			
Applications: <ul style="list-style-type: none"> ● Medical Laser Treatment ● Laser Indicator ● Laser Detector 			
Specifications	RWSLD-980-003-C		
	Min	Type	Max
Center Wavelength@25°C	+/-5nm	976nm	+/-10nm
Spectral Width (FWHM)	----	3.0nm	----
Output Power	----	3W	----
Emitter Area	100x1μm		
Beam Divergence (FWHM)	----	35° _⊥ x 8° _{//}	----
Temperature Coefficient of Wavelength	----	0.3nm / °C	----
Slope Efficiency	----	1.1mW/mA	----
Threshold Current (Typ.)	----	0.2A	0.5A
Operating Current (Typ.)	----	3.2A	3.5A
Operating Voltage	----	1.6V	2.1V
Package Style	C-mount		
Recommended Operating Temperature	25°C		

C-mount Package View



**Electrically shorten LD module and store in non-extreme conditions.
Suggest using the constant current power supply.**

