
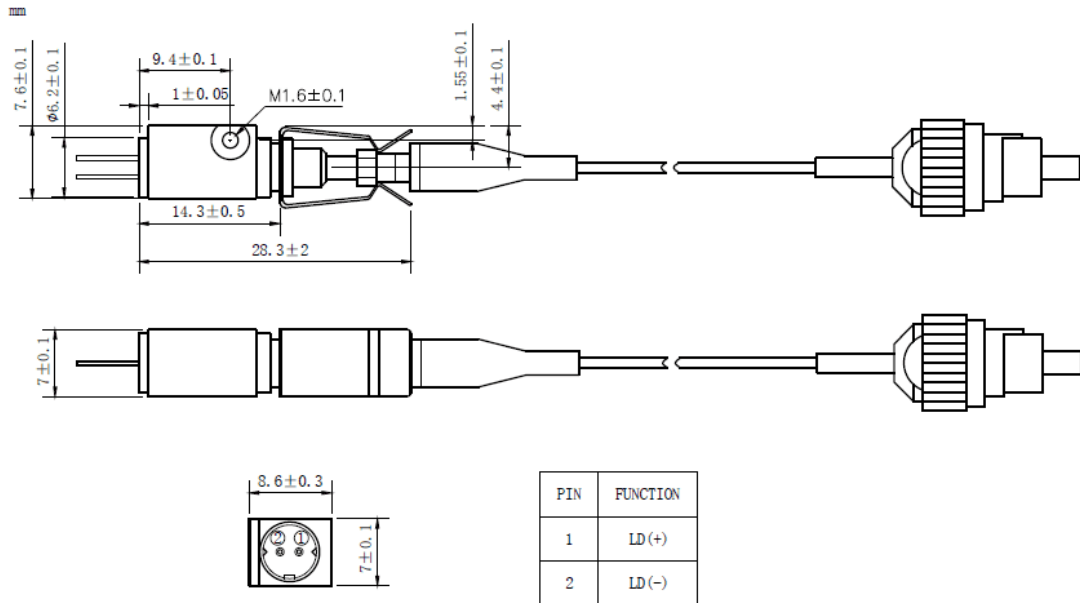


**405nm 200mW~300mW Fiber Coupled Diode Laser with MM Fiber | 105um UV Fiber**  
**405nm 200mW Multi-mode Pigtailed Laser Diode Module | Coaxial Package | Violet LD Module**  
**RWLP-405-200m-M**

405nm Pigtailed Diode Laser		200mW/MM Fiber	
PARAMETER	SYMBOL	VALUE	UNIT
Reverse Voltage	$V_r$	2.0	V
Operating Temperature	$T_{op}$	0 ~ +50	°C
Storage Temperature	$T_{stg}$	-40 ~ +85	°C
Lead soldering temperature (10 sec.)	$T_{is}$	260	°C
<b>Features:</b> <ul style="list-style-type: none"> <li>● 405nm</li> <li>● CW Mode</li> <li>● Coaxial Package</li> <li>● Fiber Receptacle Optional</li> </ul>			
<b>Applications:</b> <ul style="list-style-type: none"> <li>● Medical Laser Treatment</li> <li>● Printing</li> <li>● Others</li> </ul>			
<b>Specifications</b>	<b>RWLP-405-200m-M</b>		
	Min	Type	Max
Center Wavelength@25°C	±5nm	405nm	±10nm
Spectral Width (FWHM)	----	2.0nm	----
Output Power	----	200mW	----
Recommend Operating Temperature	25°C		
Fiber Type	UV Multi-mode Fiber		
Fiber Core	105um (50um, 200um Optional)		
Threshold Current (Typ.)	----	130mA	190mA
Operating Current (Typ.)	----	300mA	320mA
Operating Voltage	----	4.5V	5.5V
Fiber Length	80cm		
Fiber Connector	FC/SC/SMA905		
Package Style	Coaxial		

**Package View:**



**Electrically shorten LD module and store in non-extreme conditions.  
Suggest using the constant current power supply.**

