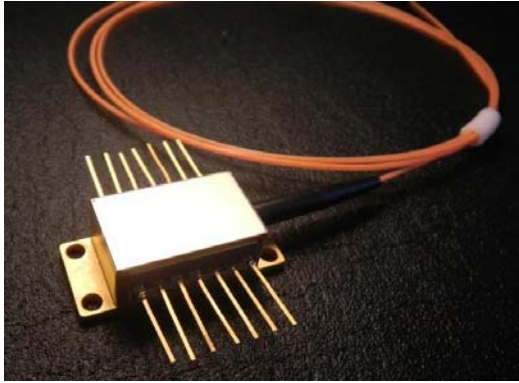
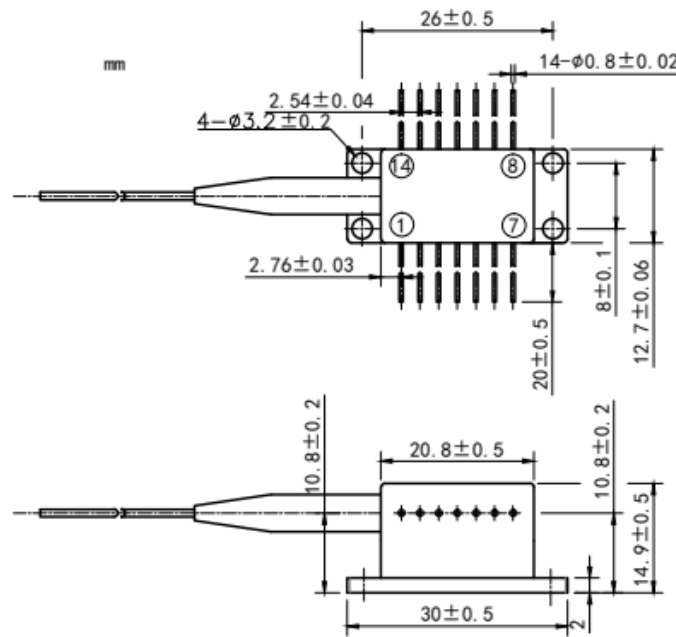


**405nm 300mW 14-Pin Butterfly Package Fiber Coupled Diode Laser With TEC | Violet Laser Diode**  
**400nm~405nm~410nm| 14-Pin BTF Package With 105um UV Fiber |Built-in TEC Cooling | Built-in PD**  
**RWLX-405-300m-M-H14-T-PD**

PARAMETER	SYMBOL	VALUE	UNIT
Reverse Voltage	$V_r$	2.0	V
Operating Temperature	$T_{op}$	0 ~ +30	°C
Storage Temperature	$T_{stg}$	-40 ~ +85	°C
Lead soldering temperature (10 sec.)	$T_{is}$	260	°C
<b>Features:</b> <ul style="list-style-type: none"> <li>• 405nm</li> <li>• 300mW Output Power</li> <li>• Built-in TEC Cooling</li> <li>• Built-in Photodiode</li> <li>• High Stability</li> </ul>			
<b>Applications:</b> <ul style="list-style-type: none"> <li>• Medical Laser Treatment</li> <li>• Others</li> </ul>			
<b>Specifications</b>	<b>RWLX-405-300m-M-H14-T-PD</b>		
	<b>Min.</b>	<b>Type</b>	<b>Max.</b>
Center Wavelength@25°C	±5nm	405nm	±10nm
Spectral Width (FWHM)	----	2nm	----
Output Power	----	300mW	----
Recommended Operating Temperature	25 °C		
Threshold Current (Typ.)	----	140mA	200mA
Operating Current (Typ.)	----	360mA	380mA
Operating Voltage		4.5V	5.5V
TEC Max Current	2A		
TEC Max Voltage	8V		
Fiber Type	UV Multi-mode Fiber		
Fiber Core	105um		
Fiber Length	>80cm		
Connector Type	SMA905/FC		
Package	14-Pin		

**14-Pin Package View:**



**Pin Out:**

PIN	FUNCTION	PIN	FUNCTION
1	TEC(+)	14	TEC(-)
2	THERMISTOR	13	CASE
3	PD(+)	12	NC
4	PD(-)	11	LD(-)
5	THERMISTOR	10	LD(+)
6	NC	9	NC
7	NC	8	NC

Electrically shorten LD module and store in non-extreme conditions.

Suggest using the constant current power supply.

