


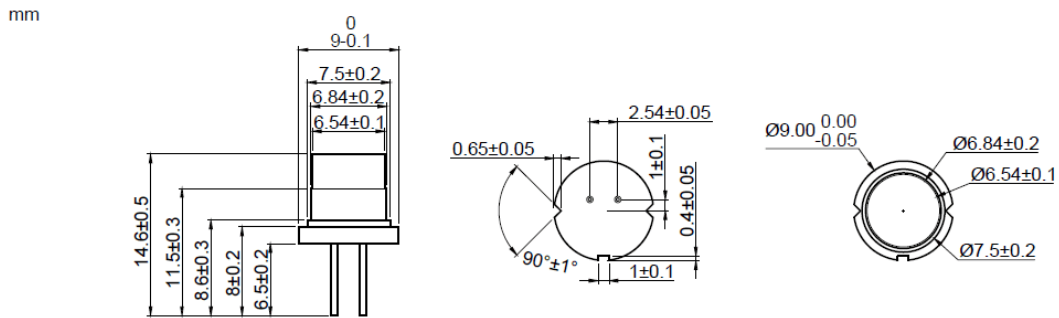
**450nm 5W Collimated Laser Diode High Power LD| High Power Output Power| Collimation Beam**

**445nm~455nm 5W LD | Small Compact Package| Blue Diode Laser**

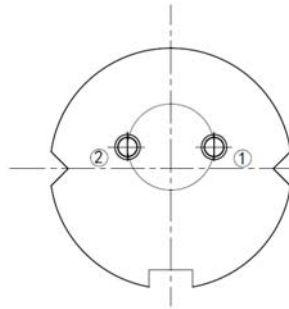
**RWSLD-445-005-K**

445nm Collimated Laser Diode 5W/TO5			
PARAMETER	SYMBOL	VALUE	UNIT
MAX Reverse Voltage	$V_r$	2.0	V
Operating Temperature	$T_{op}$	0~ +60	°C
Storage Temperature	$T_{stg}$	-40~ +85	°C
Lead soldering temperature (10 sec.)	$T_{is}$	260	°C
<b>Features:</b> <ul style="list-style-type: none"> <li>• 450nm</li> <li>• Collimated Laser Beam</li> <li>• Small Compact Package</li> <li>• Excellent Beam Quality</li> <li>• Built-in PD Optional</li> <li>• Built-in TEC Cooling Optional</li> </ul>			
<b>Specifications</b>		<b>RWSLD-445-005-K</b>	
		Min	Type
Center Wavelength@25°C		450nm±15nm	
Output Power (CW Mode)		----	5W
Spatial Mode		Multi-mode	
Lens Type		Aspheric Lens (with AR Coating)	
Beam Shape		Elliptical	
Beam Divergence (Full Angle)	Parallel ( $\theta //$ )	0.6°	0.8°
	Perpendicular ( $\theta \perp$ )	-1.0°	0°
Recommend Operating Temperature		25 °C	
Threshold Current (Typ.)		----	0.3A
Operating Current (Typ.)		----	3.2A
Operating Voltage		----	4.5V
Package		TO5(9mm)	

**Package Drawing:**



**PIN Bottom View:**



1	LD(+)
2	LD(-)

Electrically shorten LD module and store in non-extreme conditions.  
Suggest using the constant current power supply.

