
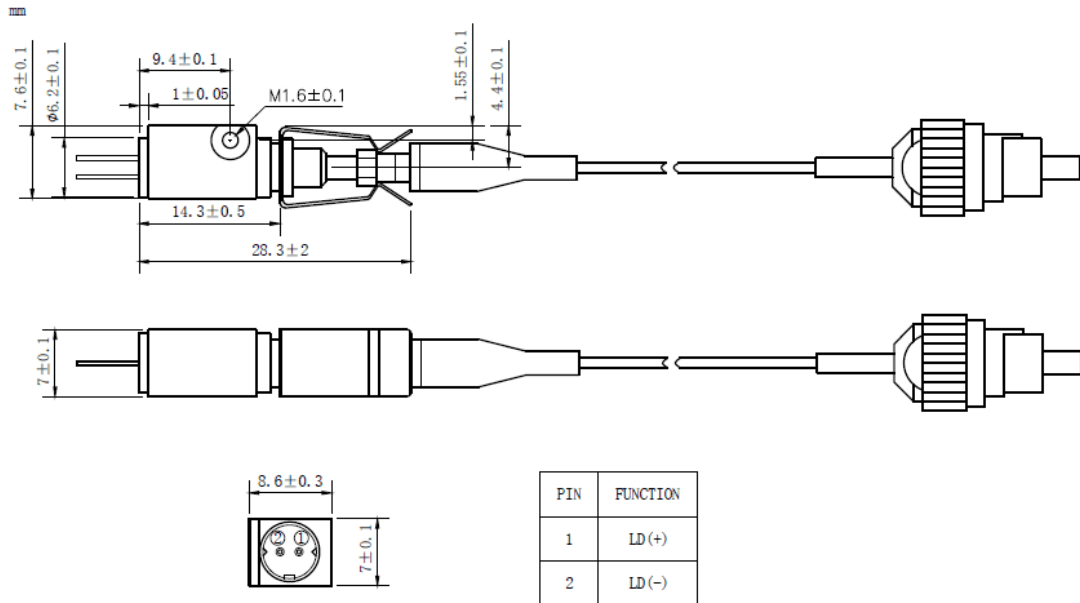


375nm 100mW Fiber Coupled Diode Laser with MM Fiber | 105um UV Fiber
370nm~380nm 100mW Multi-mode Pigtailed Laser Diode Module | Coaxial Package | UV LD
RWLP-375-100m-M

375nm Pigtailed Diode Laser		100mW/MM Fiber	
PARAMETER	SYMBOL	VALUE	UNIT
Reverse Voltage	V_r	2.0	V
Operating Temperature	T_{op}	+15 ~ +30	°C
Storage Temperature	T_{stg}	-40 ~ +85	°C
Lead soldering temperature (10 sec.)	T_{is}	260	°C
Features: <ul style="list-style-type: none"> ● 375nm ● CW Mode ● Coaxial Package ● Fiber Receptacle Optional 			
Applications: <ul style="list-style-type: none"> ● Medical Laser Treatment ● Printing ● Others 			
Specifications	RWLP-375-100m-M		
	Min	Type	Max
Center Wavelength@25°C	375nm±10nm		
Spectral Width (FWHM)	----	2.0nm	----
Output Power	----	100mW	----
Recommend Operating Temperature	25°C		
Fiber Type	UV Multi-mode Fiber		
Fiber Core	105um (50um, 200um Optional)		
Threshold Current (Typ.)	----	200mA	300mA
Operating Current (Typ.)	----	300mA	400mA
Operating Voltage	----	4.5V	6.0V
Fiber Length	>80cm		
Fiber Connector	FC/SC/SMA905		
Package Style	Coaxial		

Package View:



**Electrically shorten LD module and store in non-extreme conditions.
Suggest using the constant current power supply.**

