
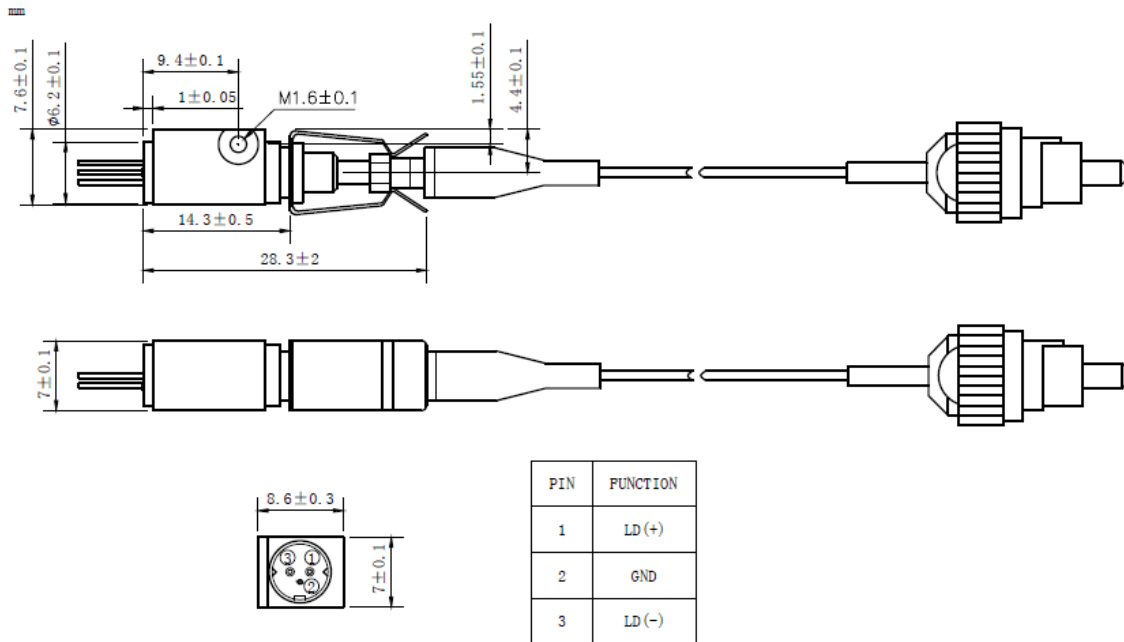


**400nm~402nm 400mW Fiber Coupled Diode Laser with MM Fiber | 105um UV Fiber**  
**400nm 400mW Multi-mode Pigtailed Laser Diode Module | Coaxial Package | Violet LD Module**  
**RWLP-400-400m-M**

| 400nm Pigtailed Diode Laser   |  | 400mW/MM Fiber |       |
|---|--|----------------|-------|
| PARAMETER   | SYMBOL   | VALUE          | UNIT  |
| Reverse Voltage   | $V_r$  | 2.0            | V     |
| Operating Temperature   | $T_{op}$   | 0~+40          | °C    |
| Storage Temperature   | $T_{stg}$  | -40~+85        | °C    |
| Lead soldering temperature (10 sec.)  | $T_{is}$   | 260            | °C    |
| <b>Features:</b> <ul style="list-style-type: none"> <li>● 400nm</li> <li>● CW Mode</li> <li>● Coaxial Package</li> <li>● Fiber Receptacle Optional</li> </ul> |  |                |       |
| <b>Applications:</b> <ul style="list-style-type: none"> <li>● Medical Laser Treatment</li> <li>● Printing</li> <li>● Others</li> </ul>                        |  |                |       |
| <b>Specifications</b>   | <b>RWLP-400-400m-M</b>   |                |       |
|   | Min  | Type           | Max   |
| Center Wavelength@25°C  | 400nm±5nm  |                |       |
| Spectral Width (FWHM)   | ----   | 2.0nm          | ----  |
| Output Power  | ----   | 400mW          | ----  |
| Recommended Operating Temperature   | 25°C   |                |       |
| Fiber Type  | UV Multi-mode Fiber  |                |       |
| Fiber Core  | 105um  |                |       |
| Threshold Current (Typ.)  | ----   | 120mA          | 200mA |
| Operating Current (Typ.)  | ----   | 350mA          | 380mA |
| Operating Voltage   | ----   | 5.0V           | 6.0V  |
| Fiber Length  | >80cm  |                |       |
| Fiber Connector   | FC/SC/SMA905   |                |       |
| Package Style   | Coaxial  |                |       |
|   |  |                |       |

**Package View:**



**Electrically shorten LD module and store in non-extreme conditions.  
Suggest using the constant current power supply.**

